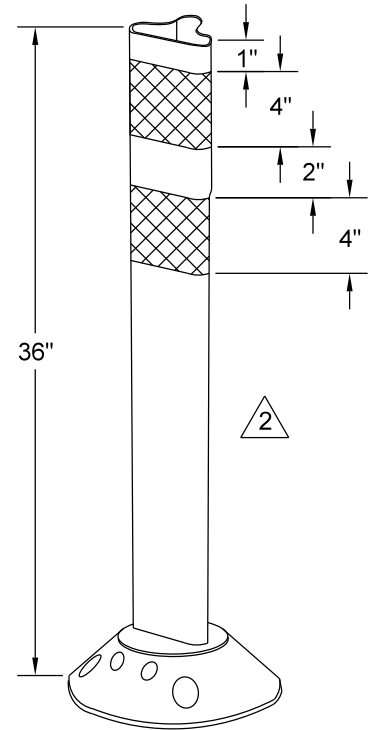
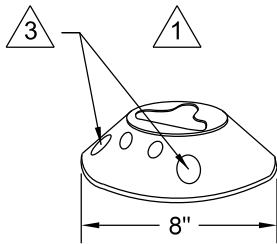


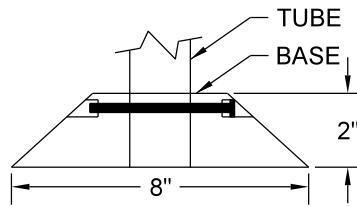
**MATERIAL : LDPE
LOW DENSITY POLYETHYLENE**



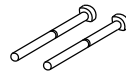
**SHOWN WITH TYPICAL
REFLECTIVE TAPE APPLIED**



BASE



BASE SECTION



QUICK RELEASE PINS

NOTES:

- 1 BASE SHALL BE BLACK IN COLOR, MIN. OF 1 LB IN WEIGHT, AND COME WITH TWO PLASTIC LOCKING PINS. BASE SHALL BE CONSTRUCTED OF A HIGH IMPACT THERMO PLASTIC ALLOY.
- 2 36" DELINEATOR CAN BE ORDERED IN YELLOW OR WHITE.
- 3 MOUNT PER MANUFACTURE'S RECOMMENDATION. MOUNTING HARDWARE TO BE INCLUDED AND APPROVED BY CITY.



DRW: EAV

DATE: 3/3/21

APP: DRP

DATE: 3/3/21

PAVEMENT MARKINGS - DELINEATOR 36"

STANDARD
PLATE
NO.
TRAF-7651