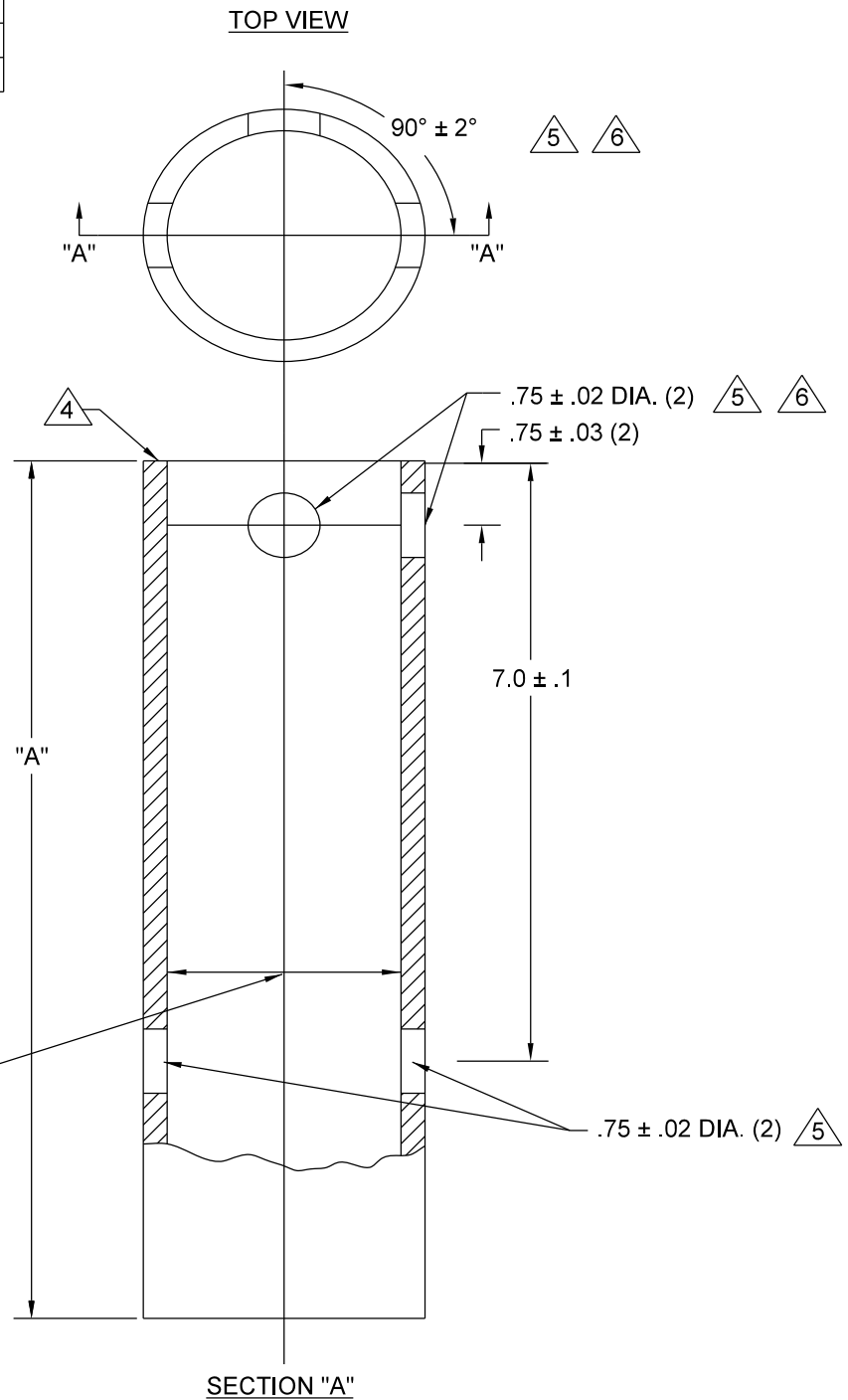


SLEEVE #	"A" LENGTH
1	15.0 ± 0.06
2	29.88 ± 0.06



NOTES:

- 1 MATERIAL- NPS 2 1/2 HOT DIPPED GALVANIZED STEEL PIPE TYPE E OR F, SCH 40 PER ASTM A53-02.
- 2 ALL DIMENSIONS IN INCHES.
- 3 ZINC COATING SHALL BE FREE FROM EXCESSIVE ROUGHNESS.

- △4 NO CUT-OFF BURR PERMISSABLE -THIS END-.05 MAX. CORNER BREAK PERMITTED.
- △5 NO ORIENTATION OF 2 HOLES AT END TO MID 2 REQ.
- △6 90° APPLIES TO (2) HOLES INDICATED ONLY.

NO SCALE



DRW: LPK

DATE: 1/1/11

APP: DRP

DATE: 1/1/11

COLLAR - SIGN  
2" SIGN POST - SLEEVE

STANDARD  
PLATE  
NO.  
TRAF-5130