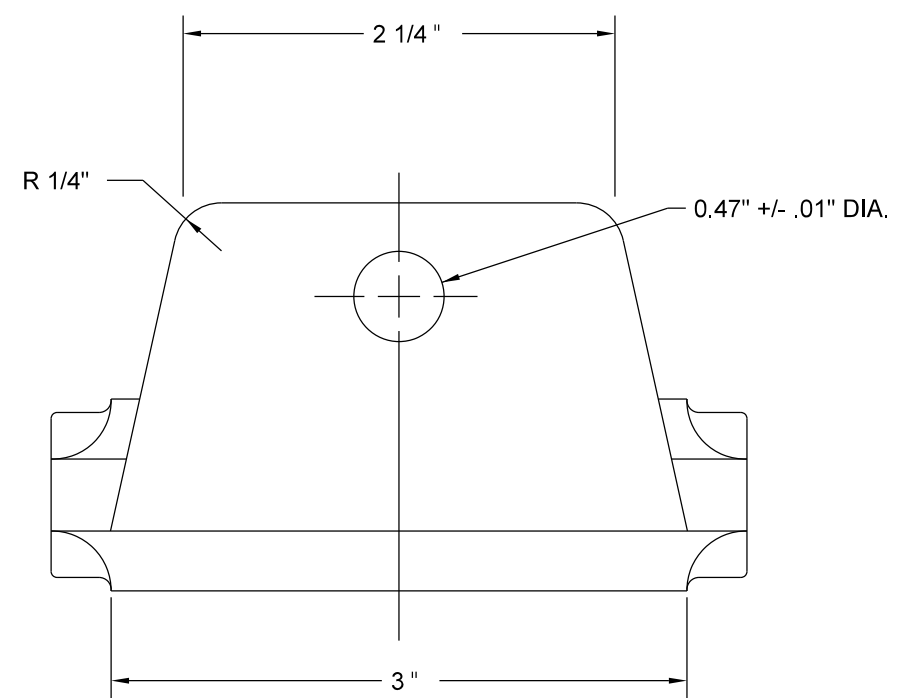


NOTES

- 1. MATERIAL - GREY CAST IRON - 25,000 PSI MIN - 1 3/4 LB APPROXIMATE WEIGHT
- 2. PATTERN AVAILABLE FROM CITY OF MINNEAPOLIS, TRAFFIC ENGINEERING
ALL DIMENSIONS WITHOUT TOLERANCE FOR REFERENCE ONLY
- ③ CITY OF MINNEAPOLIS WILL SUPPLY WITH 3/8"-16 X 1" CUP POINT SQUARE HEAD SET SCREW
- ④ 3° MAX DRAFT TO INCR DIMENSION
- 5. ALL SHARP CORNERS SHOWN - 0.06" R MAX.
- ⑥ INSIDE DIAMETER TO BE FREE OF FLASH AND BURRS



	DRW: CLK	DATE: 10/29/14	BRACKET - SIGN SINGLE CAST RING FOR 2 1/2" PIPE	STANDARD PLATE NO. TRAF-5090
	APP: DRP	DATE: 10/29/14		