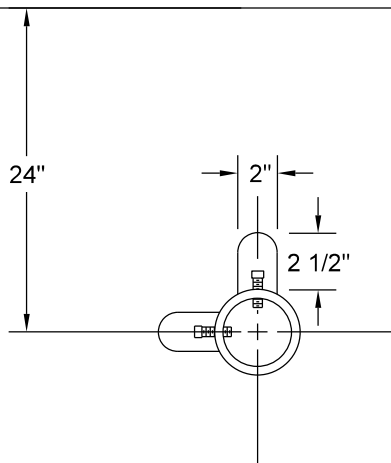


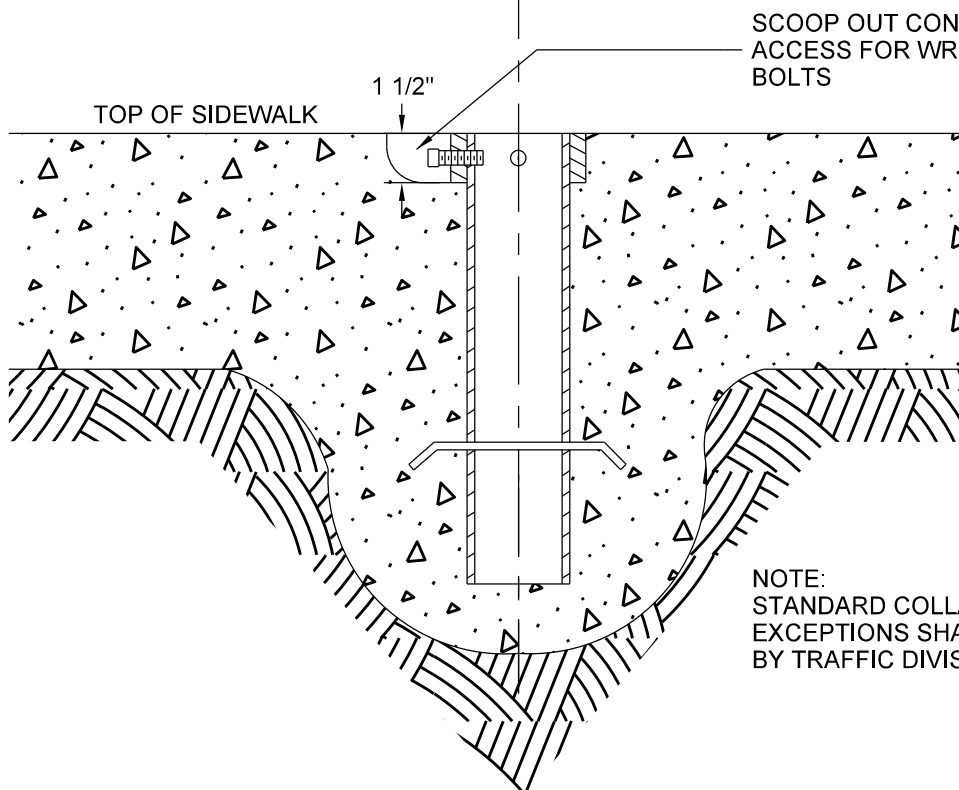
TRAFFIC DIRECTION



FACE OF CURB



NOTE:  
 CARE MUST BE TAKEN TO MAKE SURE  
 SIGN COLLAR IS INSTALLED IN A TRUE  
 PLUMB POSITION. NON-PLUMB  
 INSTALLATION WILL BE CORRECTED BY  
 THE CONTRACTOR AT NO ADDITIONAL  
 COST TO THE CITY.



NOTE:  
 STANDARD COLLAR LENGTH IS 15"  
 EXCEPTIONS SHALL BE APPROVED  
 BY TRAFFIC DIVISION.

NO SCALE



DRW: GG

DATE: 6/16/17

APP: DRP

DATE: 6/16/17

FOUNDATION - SIGN  
 COLLAR INSTALLATION

STANDARD  
 PLATE  
 NO.  
 TRAF-5060-R1