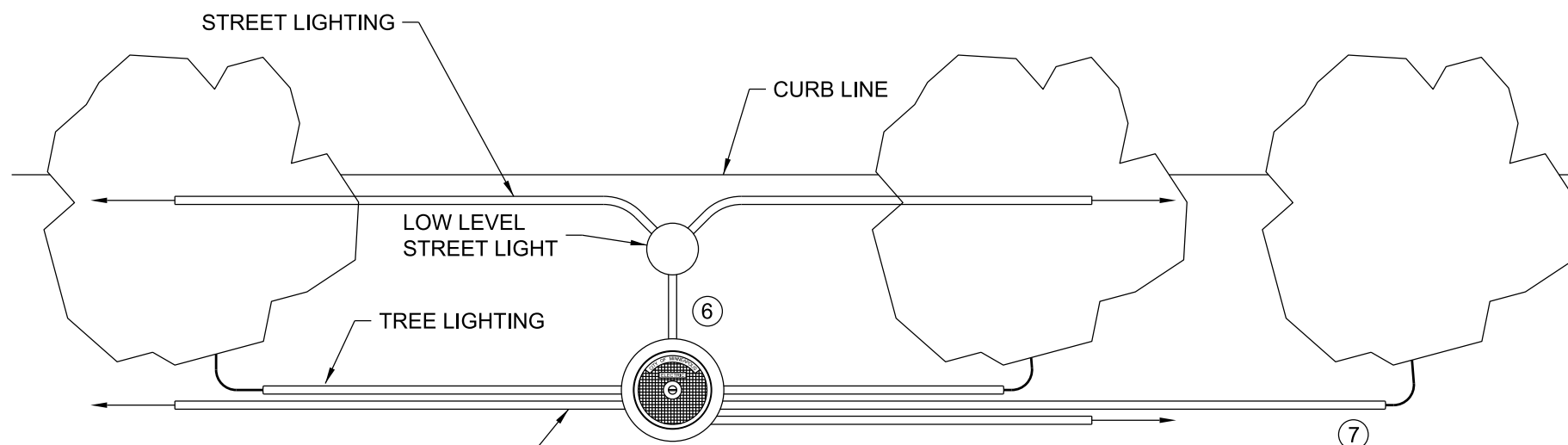
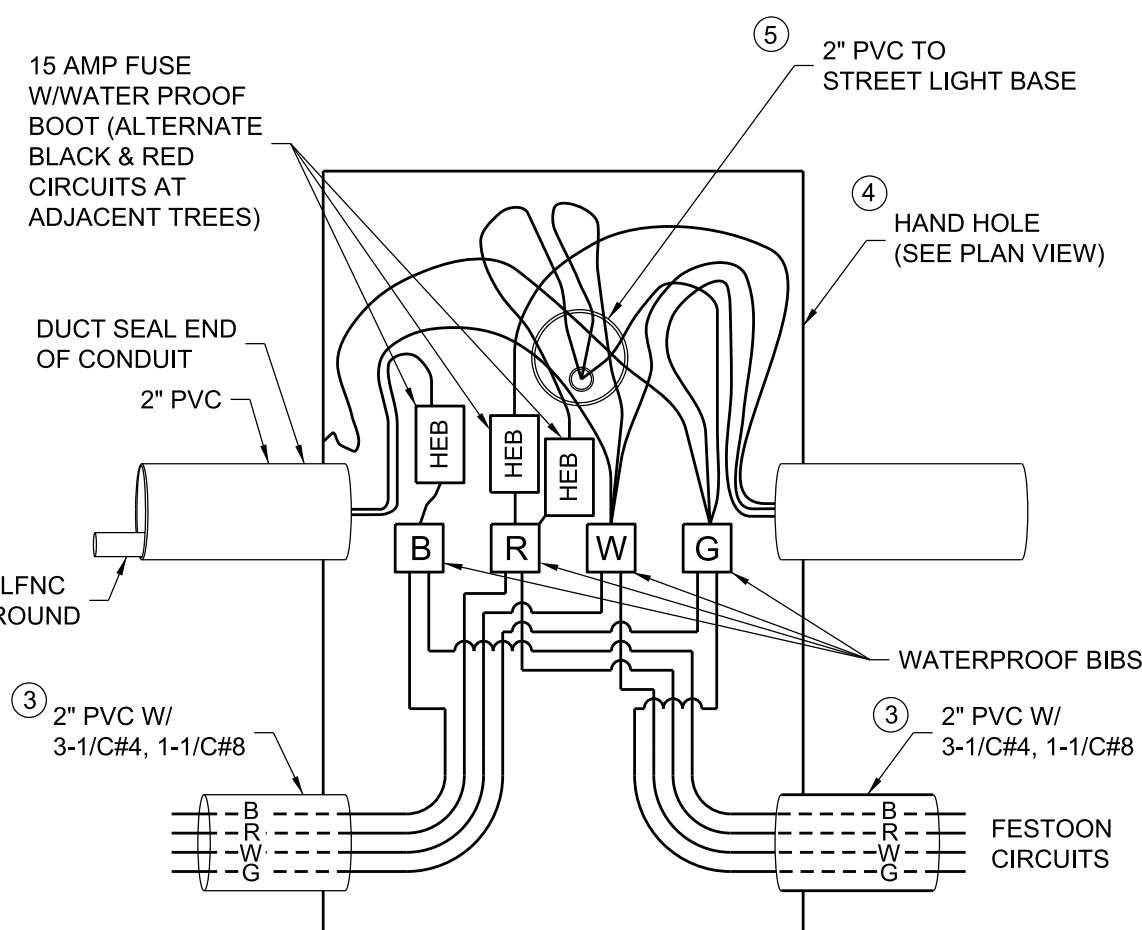


ELEVATION VIEW (FESTOON)



PLAN VIEW



TYPICAL SCHEMATIC DIAGRAM

- ① THE QUANTITY OF TREE RECEPTACLES VARIES, SEE PLAN VIEWS FOR LAYOUT.
- ② TYPE NUCC CABLE WITH ANTI-SHORT BUSHINGS AND CONNECTORS ON BOTH ENDS. DUST SEAL CONDUIT ON TREE GRATE END.
- ③ SINGLE CONDUCTOR WIRE SHALL HAVE CLASS 'B' STRANDED UNCOATED COPPER CONDUCTORS AND BE LISTED BY UL AS TYPE RHW-2/USE-2 90 DEGREE CELCIUS, CROSS LINKED POLYETHYLENE INSULATED RATED 600 VOLTS. CONDUCTOR INSULATION SHALL BE RED, BLACK, WHITE, AND GREEN.
- ④ HAND HOLE SHALL BE MPLS STANDARD PLATE TRAF-3725.
- ⑤ UNTC CABLE TYPE TC-ER 3C#12 AWG 600 V DIRECT BURIED - SUN RESISTANT.
- ⑥ ALL CONDUITS 2" PVC.
- ⑦ IF MORE THAN ONE TREE, ADD ADDITIONAL CONDUIT.

NO SCALE

	DRW: EAV	DATE: 11/1/19	WIRING - TREE RECEPTACLE - FESTOON TREE LIGHTS REFERENCE PLATES: TRAF-3720, TRAF-3725	STANDARD PLATE NO. TRAF-3730-R1
	APP: DRP	DATE: 11/1/19		