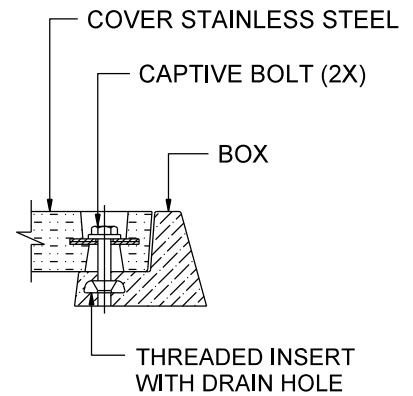
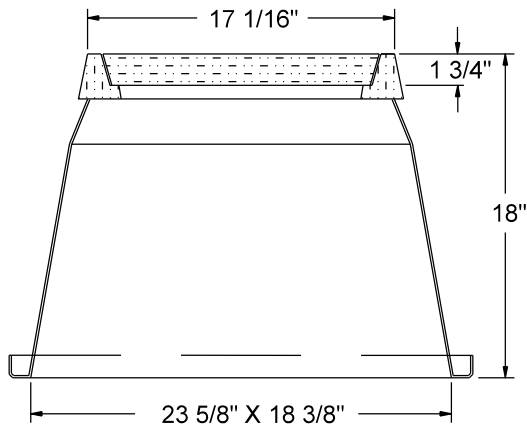


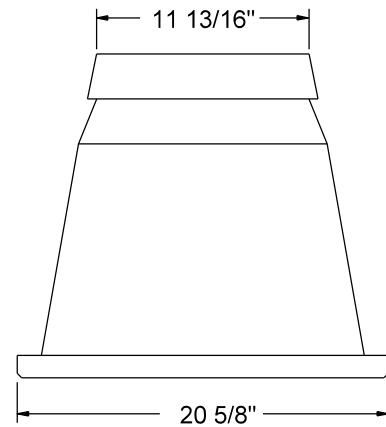
COVER W/ BOLTDOWN



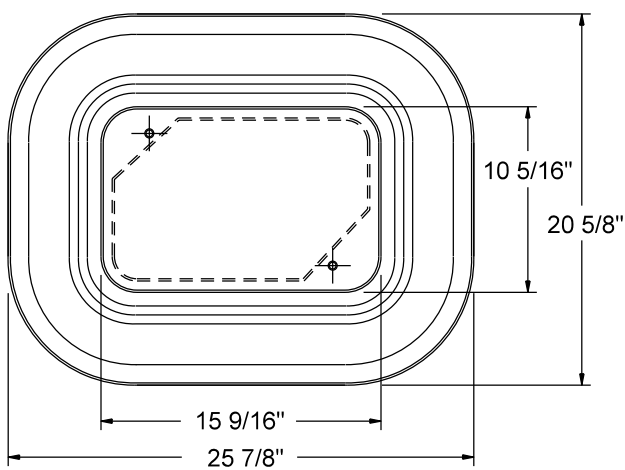
COVER BOLTDOWN DETAIL



BOX & COVER SECTION (FLARED WALL)



END



TOP VIEW

- NOTES:
- MATERIAL: FIBERGLASS REINFORCED POLYMER CONCRETE & FIBERGLASS REINFORCED POLYMER
  - FLARED WALL BOXES ARE NESTABLE
  - COLOR: GREEN (COVER & BOX COLLAR)

NO SCALE



DRW: LPK

DATE: 1/1/11

APP: DRP

DATE: 1/1/11

HANDHOLE - ST. LIGHT

20" X 25" X 18" - FIBERGLASS PARKBOARD

STANDARD  
PLATE  
NO.  
TRAF-3710