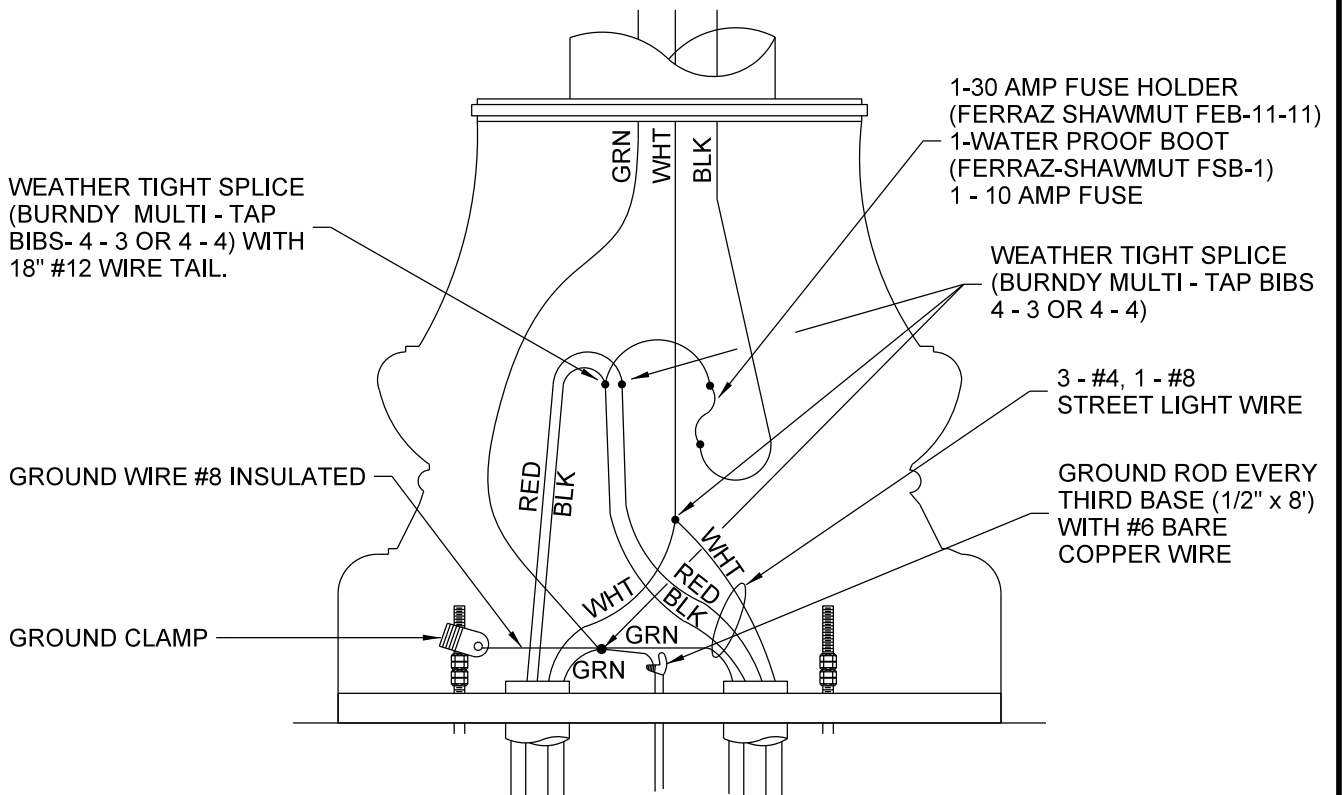
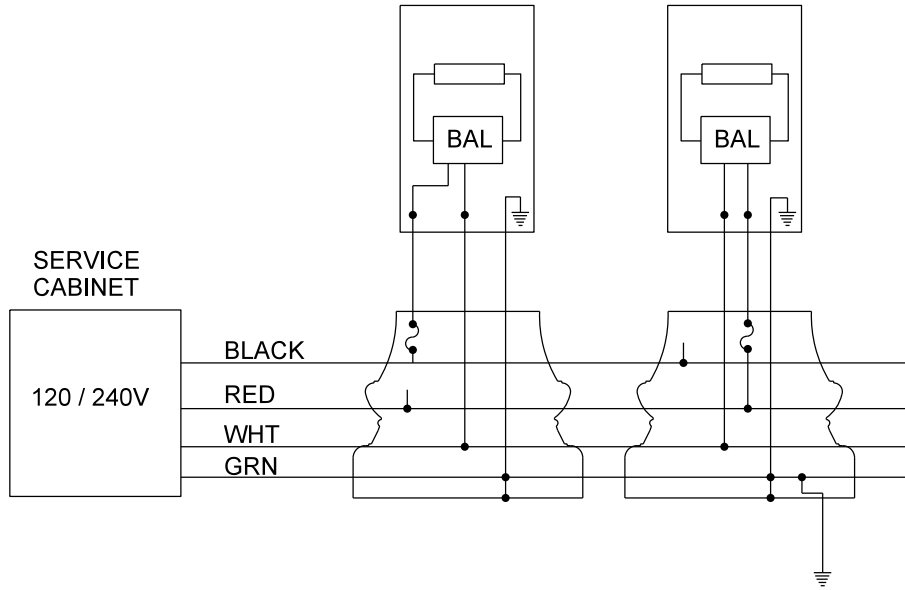


TYPICAL LIGHT BASES



NOTES:

1. COMPONENT PARTS IDENTIFIED ARE CITY OF MPLS. STANDARD
2. ALTERNATE PHASING FOR ALTERNATE BASES.

NO SCALE



DRW: EAV

DATE: 12/06/21

APP: DRP

DATE: 12/06/21

WIRING - ST. LIGHT  
STANDARD LOW LEVEL 120V

STANDARD  
PLATE  
NO.  
TRAF-3627-R3