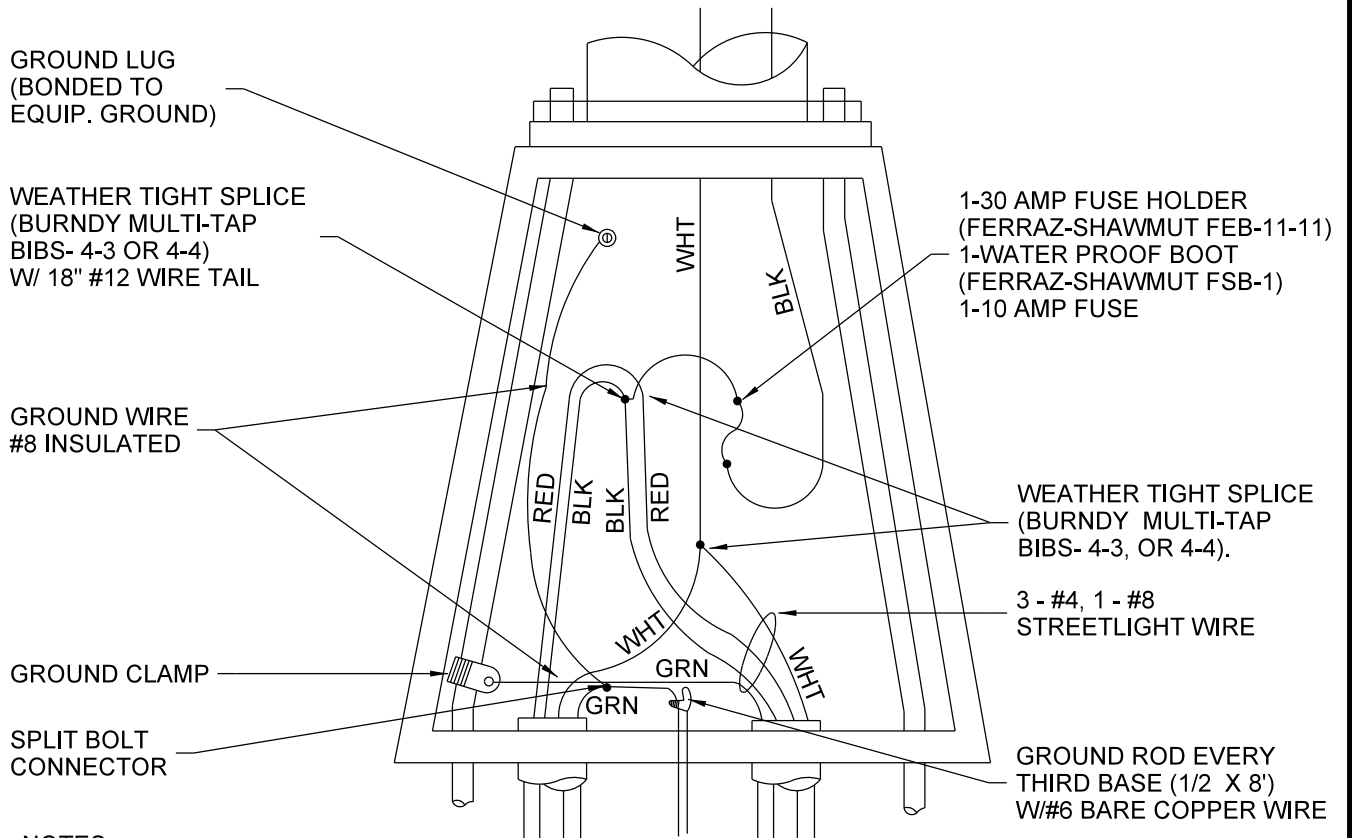
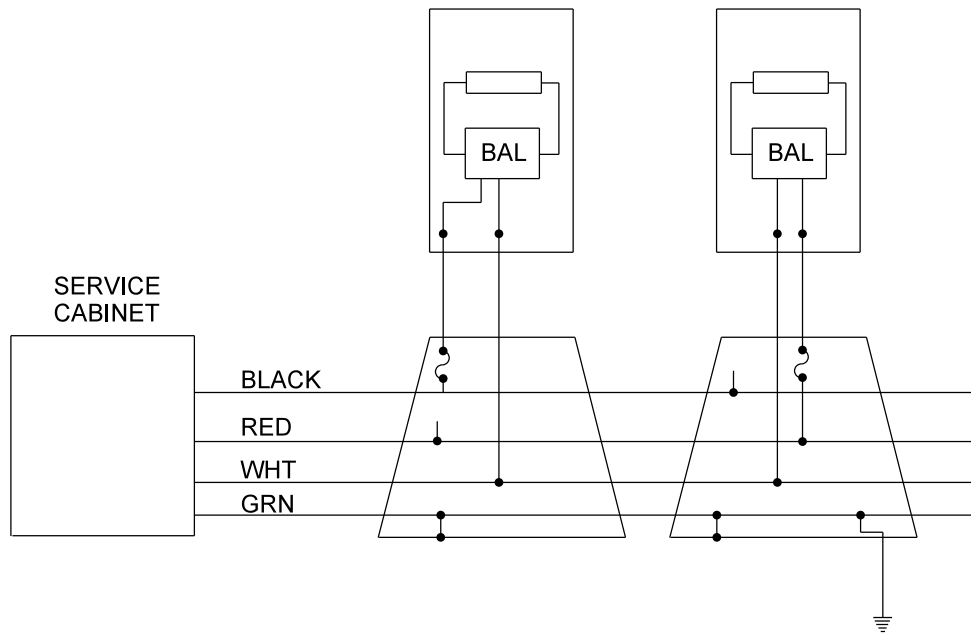


TYPICAL TRANSFORMER BASES



- NOTES:  
 1. COMPONENT PARTS IDENTIFIED ARE CITY OF MPLS. STANDARD  
 2. ALTERNATE PHASING FOR ALTERNATE BASES.

NO SCALE



DRW: EAV

DATE: 12/06/21

APP: DRP

DATE: 12/06/21

WIRING - ST. LIGHT  
 STANDARD HIGH LEVEL 120V

STANDARD  
 PLATE  
 NO.  
 TRAF-3623-R2