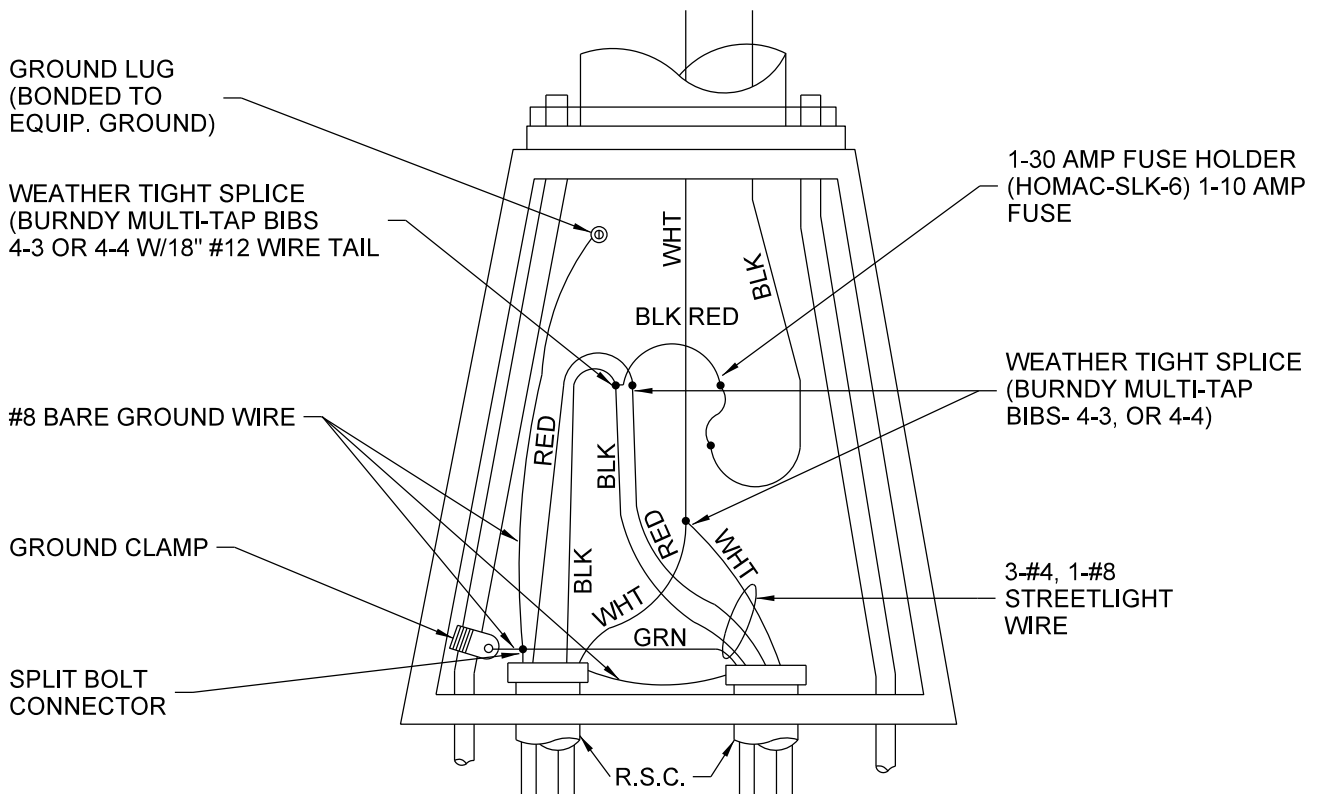
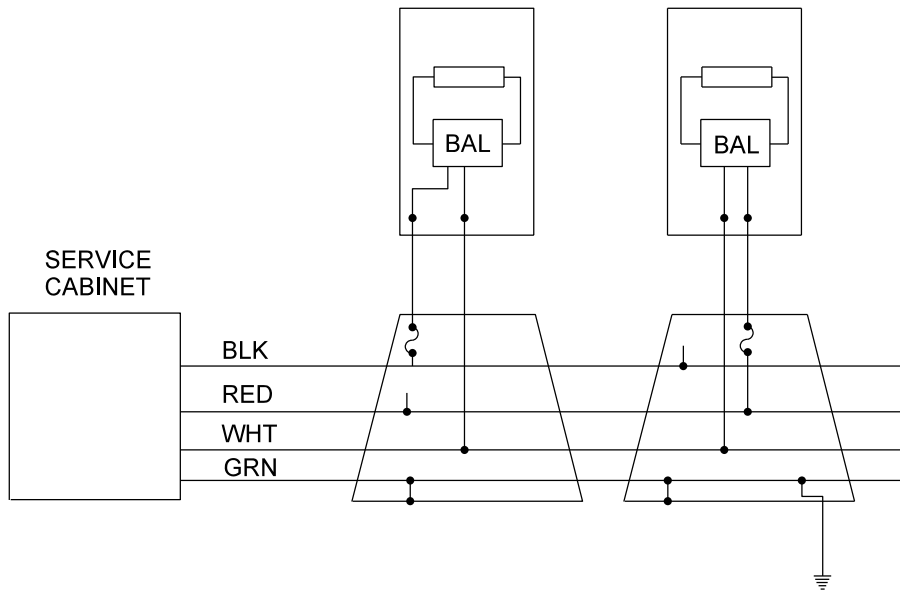


TYPICAL TRANSFORMER BASES



NOTES:

1. COMPONENT PARTS IDENTIFIED ARE CITY OF MPLS. STANDARD.
2. ALTERNATE PHASING FOR ALTERNATE BASES.

NO SCALE



DRW: LPK

DATE: 1/1/11

APP: DRP

DATE: 1/1/11

WIRING - ST. LIGHT
STANDARD BRIDGE 120V

STANDARD
PLATE
NO.
TRAF-3619