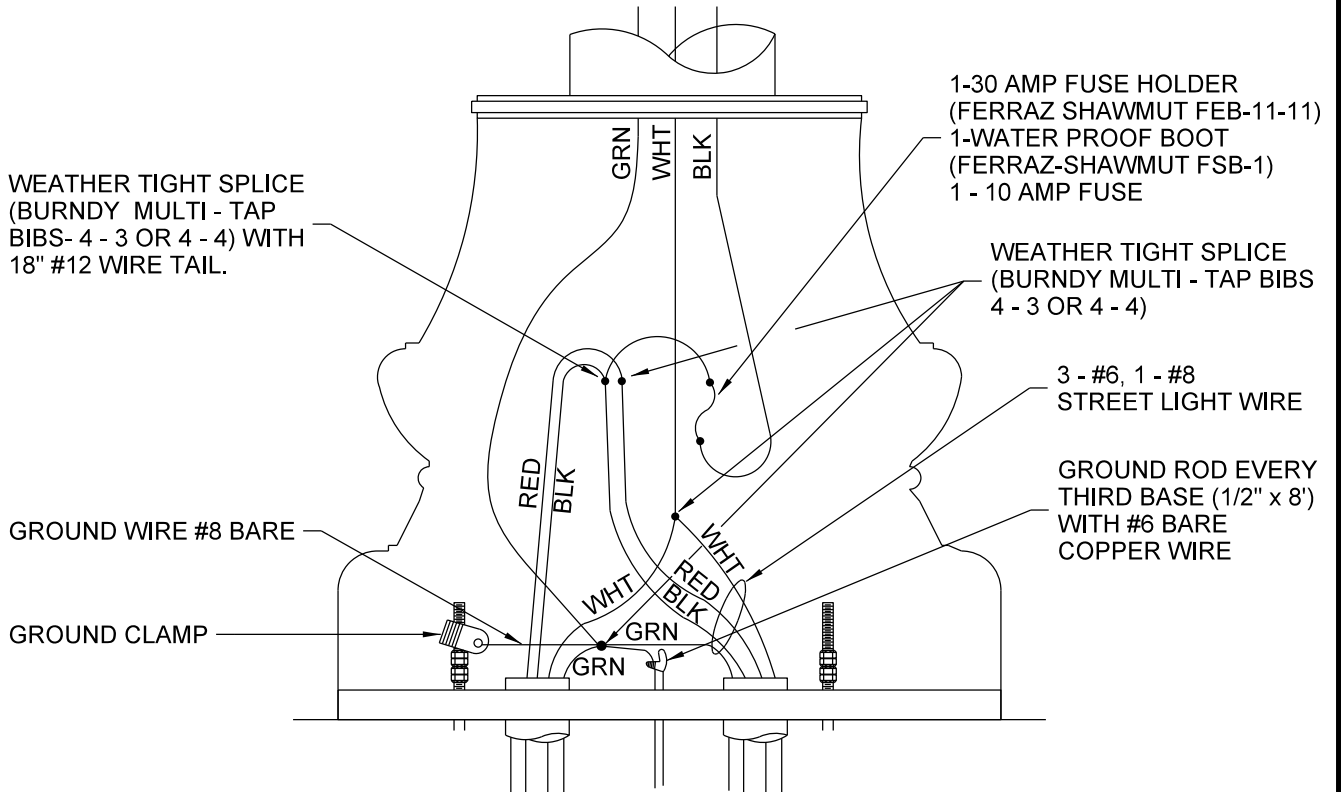
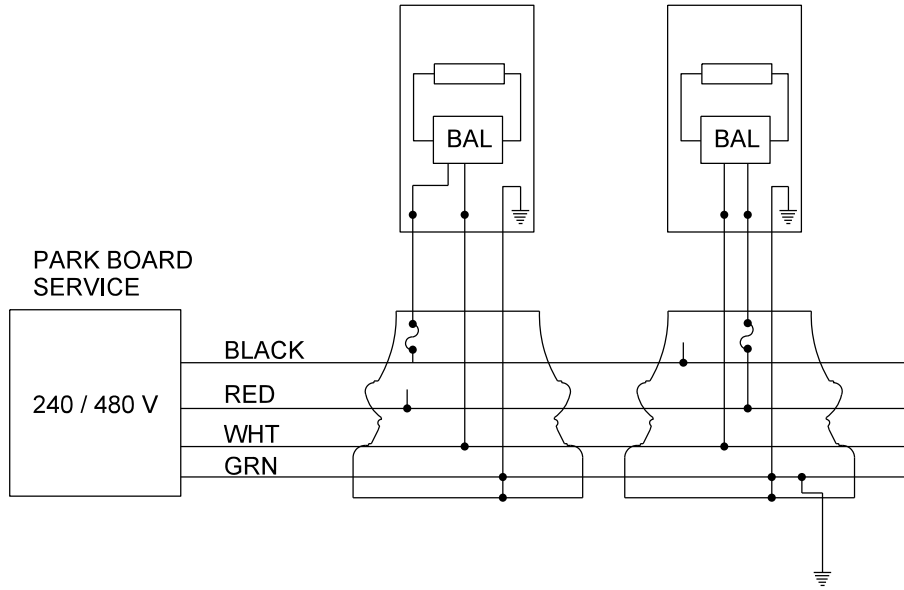


TYPICAL LIGHT BASES



- NOTES:  
1. COMPONENT PARTS IDENTIFIED ARE CITY OF MPLS. STANDARD  
2. ALTERNATE PHASING FOR ALTERNATING BASES

NO SCALE



DRW: CLK

DATE: 10/18/13

APP: DRP

DATE: 10/18/13

WIRING - ST. LIGHT  
STANDARD PARK BOARD 240V

STANDARD  
PLATE  
NO.  
TRAF-3615-R3