

SPECIFICATIONS

DESCRIPTION

ROADWAY ARM SHALL BE ALL ALUMINUM CONSTRUCTION CONSISTING OF A DECORATIVE POST FITTER MODIFIED TO FIT A 3" X 6" TENON WITH A BENT PIPE ARM WITH A CLAMP-ON BRACE AND A CLAMP ON PLUMB ASSEMBLY WITH A 1 1/2" NPT FITTER FOR LUMINAIRE MOUNTING.

MATERIALS

THE LUMINAIRE ARM SHALL BE CAST ALUMINUM, (HEAVY WALL, 356.1 ALLOY) AND SCHEDULE 80 PIPE AND BAR. ALL HARDWARE SHALL BE STAINLESS STEEL.

DIMENSIONS

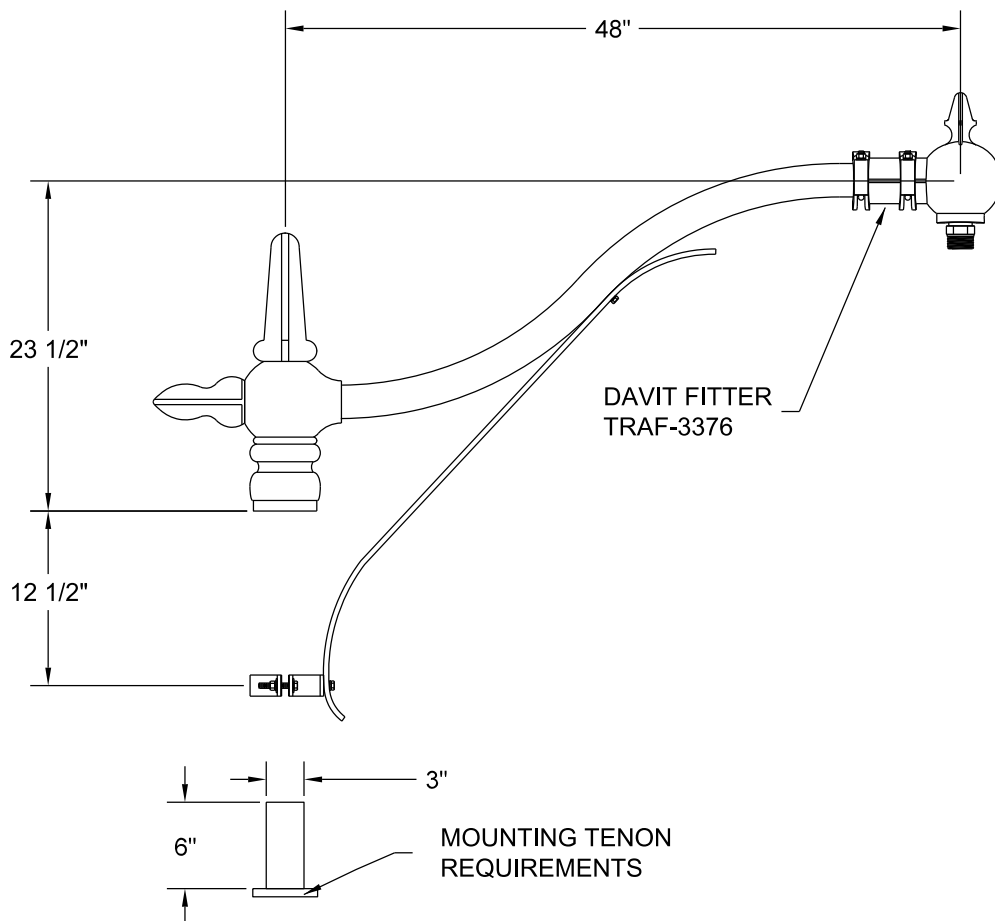
POST TOP ARM SHALL PROVIDE A 48" LUMINAIRE CENTER.

INSTALLATION

ROADWAY ARM IS DESIGNED TO MOUNT ON A 3" X 6" POST TENON.

FINISH

THE ARM ASSEMBLY SHALL BE SHIPPED WITH A DARK BRONZE POWDER COAT FINISH.



NO SCALE



DRW: LPK

DATE: 12/7/11

APP: DRP

DATE: 12/7/11

ATTACHMENT - ST LIGHT
18 FT DAVIT DECORATIVE ARM
REFERENCE PLATES: TRAF-3376

STANDARD
PLATE
NO.
TRAF-3372-R1