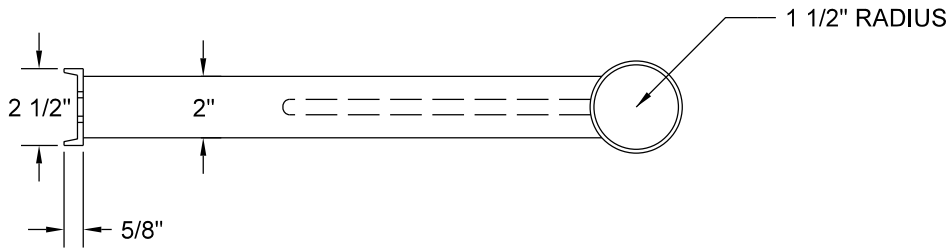
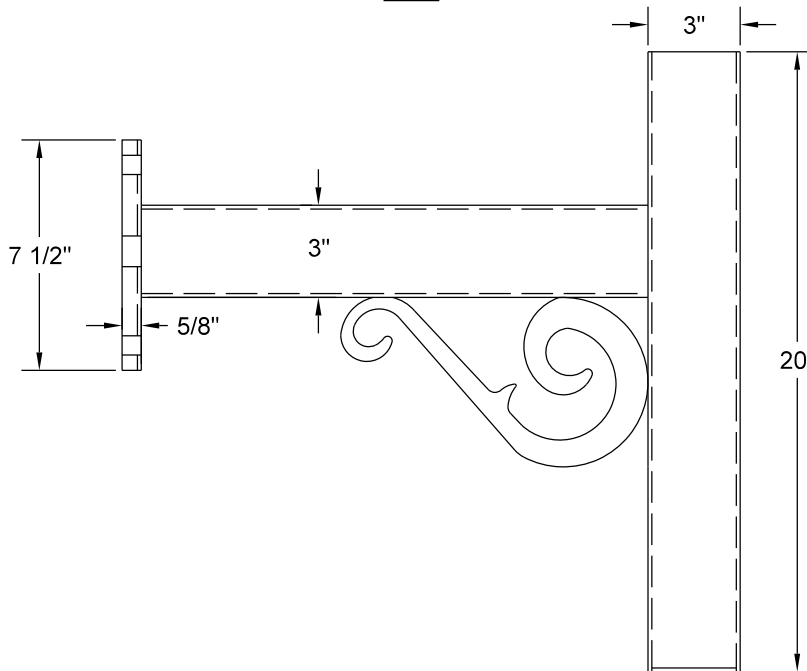


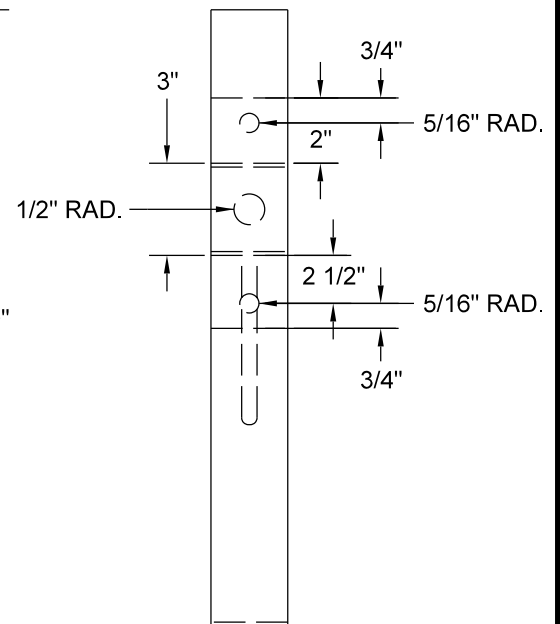
TOP



SIDE



FRONT



NOTE:

1. FOR LUMINAIRES DESIGNED TO FIT A VERTICAL 3" DIA. TENON INCLUDING INLINE BALLAST TYPES.
2. MATERIAL: ALUMINUM
3. COLOR: TO MATCH POLE
4. FOR STREET LIGHT POLE MOUNTING ANCHORAGE USE AL SERIES THREADED INSERTS WITH WASHERS AND BOLTS AS APPROVED BY THE CITY OF MPLS DEPT. OF PW-TRANSPORTATION DIVISION METHOD OF INSTALLING AL INSERT SHALL FOLLOW MANUFACTURER RECOMMENDATION
5. CATALOG NUMBER SHAKESPEARE OPAR-1.5-30S (WITH SCROLL) OR CITY OF MPLS. APPROVED EQUAL.

NO SCALE



DRW: LPK

DATE: 1/1/11

APP: DRP

DATE: 1/1/11

FIXTURE - ST. LIGHT
SIDE MOUNT BRACKETING

STANDARD
PLATE
NO.
TRAF-3320