

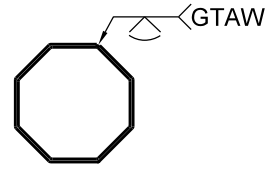
NOTE:

1. MATERIAL - STAINLESS STEEL ASTM A240 (TYPE 201L) 50,000 PSI MIN YIELD.
2. BASE PLATE MATERIAL - STAINLESS STEEL ASTM A240 (TYPE 304L) 25,000 PSI MIN YIELD
3. SLIPFITTER MATERIAL- STAINLESS STEEL ASTM A312 (TYPE 304L) 35,000 PSI MIN. YIELD.
4. FINISH-MARQUETTE AVE NATURAL ALUMINUM OR UPS BROWN AS SPECIFIED

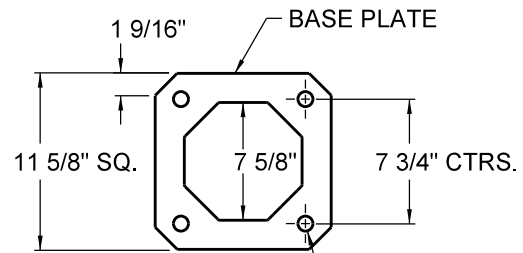
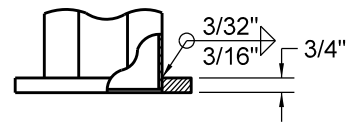
SLIPFITTER 2" (2 3/8 OD) SCHEDULE 10
4" LONG SWAGED PIPE (TYP.)

1/16"▽

30'-0"
MTG. HT.

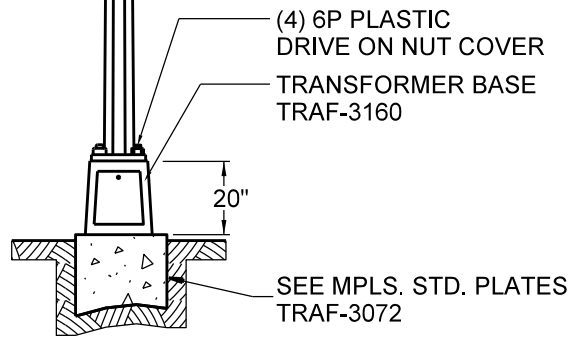


SEAM WELD



PROVIDE (4) 1 3/16" DIA.
ON 11" DIA. B.C.

POLE BASE DETAIL



NO SCALE



DRW: CLK

DATE: 10/02/12

APP: DRP

DATE: 10/02/12

STANDARD - ST. LIGHT
M-30' STAINLESS STEEL

REFERENCE PLATES: TRAF-3072, TRAF-3160

STANDARD
PLATE
NO.
TRAF-3294