

2 3/8" O.D. TENON (2" SCHEDULE 80 PIPE)
ALLOY 6063-T6

4 1/2" O.D.

CAST ALUM. ADAPTER ALLOY 356-T6

TAPERED ALUM. TUBE .125" WALL
ALLOY 6063-T6. SATIN GROUND FINISH.

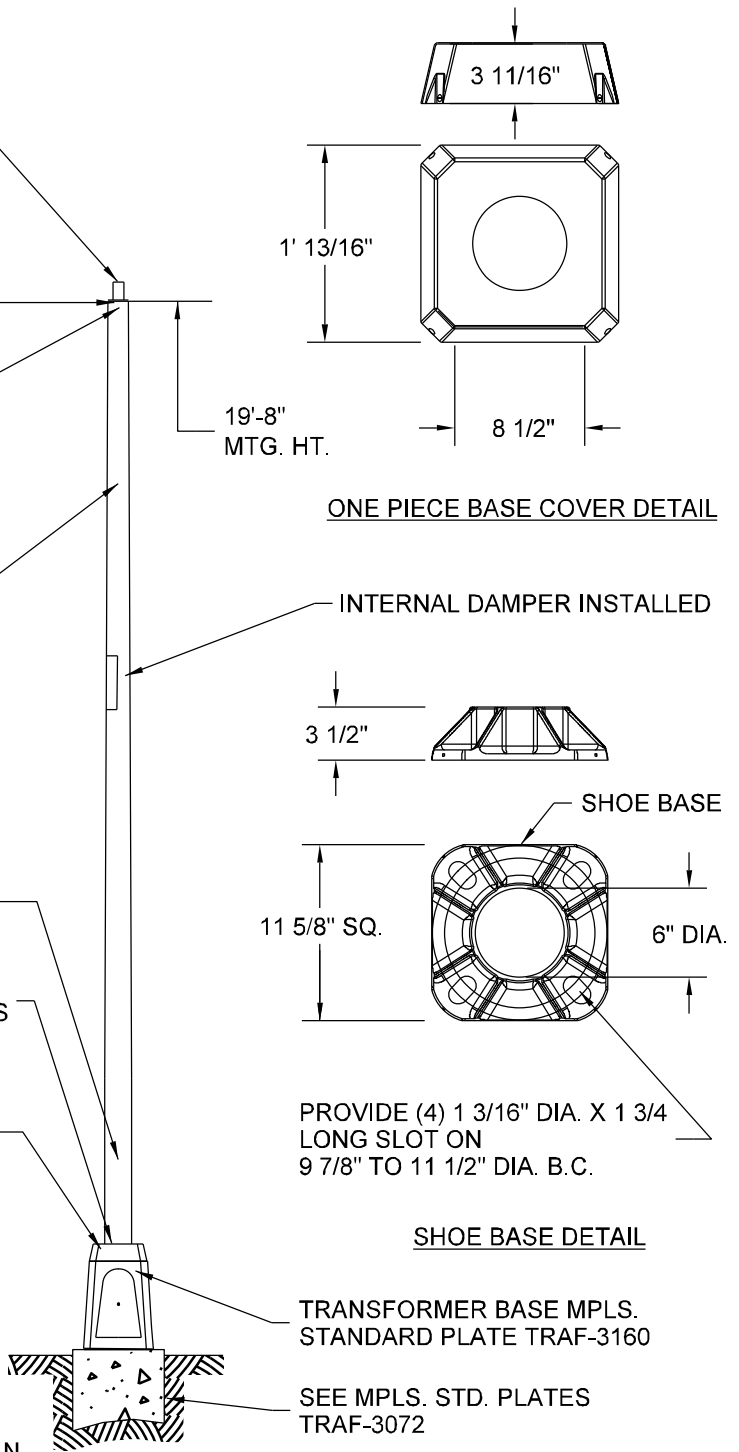
6" O.D.

BASE FLANGE ALLOY 356-T6
(9 7/8" TO 11 1/2" DIA. B.C. FOR 1" DIA. BOLTS)

ONE PIECE CAST ALUM. BASE
COVER WITH STAINLESS STEEL
HEX. HD. SCREWS

NOTES:

1. SHAFT HEAT TREATED TO T6 TEMPER AFTER WELDING.
2. POLE DESIGN MEETS 2001 AASHTO SPECIFICATIONS.
3. DESIGN CONDITIONS: LUMINAIRE 1.2 SQ. FT. EPA & 60 LBS. 2' X 4' BANNER WHICH CAN BE LOCATED ANYWHERE (8.0 SQ. FT. EPA & 30 LBS.).
4. FINISH-GARDCO "NP" NATURAL PAINT OR RAL8019 (UPS BROWN) AS SPECIFIED.



NO SCALE



DRW: CLK DATE: 2/3/17

APP: DRP DATE: 2/3/17

STANDARD - ST. LIGHT
M-20' ALUMINUM
REFERENCE PLATES: TRAF-3072, TRAF-3160

STANDARD
PLATE
NO.
TRAF-3290-R1