

SPECIFICATIONS

DESCRIPTION

THE LIGHTING POST SHALL BE ALL ALUMINUM CONSTRUCTION CONSISTING OF A CAST BASE AND A 12 FLUTE SHAFT WITH A 3" X 6" TALL TENON FOR ARM MOUNTING.

MATERIALS

THE SHAFT SHALL BE EXTRUDED ALUMINUM WITH A FOUR FOOT REINFORCING STALK FACTORY JOINED TO A CAST ALUMINUM BASE, (HEAVY WALL, 356.1 ALLOY) FORMED TRUE TO PATTERN WITH COMPLETE DETAIL. THE POST SHALL INCLUDE AN INTERNAL PERMANENTLY BONDED STRUCTURAL STIFFNER TO MINIMIZE POLE DEFLECTION AFTER INSTALLATION.

DIMENSIONS

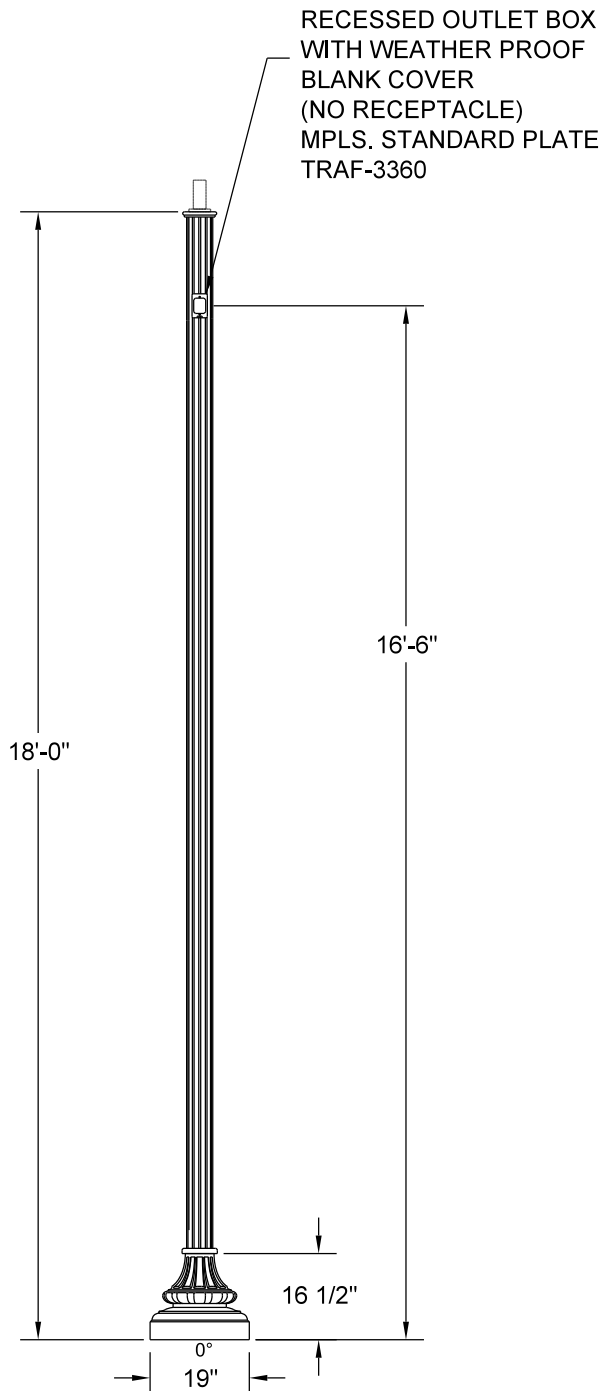
THE POST SHALL BE 18'-0" IN HEIGHT WITH A 5" SHAFT WITH A 3" X 6" TALL TENON. THE BASE SHALL BE 19" X 16 1/2" TALL.

INSTALLATION

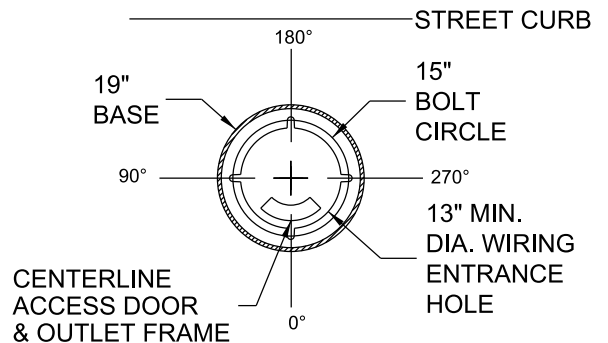
POST PROVIDED WITH (4) 3/4" HOT DIP GALVANIZED STEEL L-TYPE ANCHOR BOLTS WITH SPECIAL WASHERS (TRAF-3135). A HANDHOLE LOCATED AS SHOWN IN THE BASE TO PROVIDE ANCHORAGE AND WIRING ACCESS.

NOTES:

1. FOR FOUNDATION SEE MPLS STANDARD PLATE TRAF-3064
2. MATERIAL- CAST ALUMINUM SEE SPECIAL PROVISIONS
3. POLE & BASE FINISH SEE SPECIAL PROVISIONS



ANCHORAGE DETAIL



NO SCALE



DRW: EAV	DATE: 01/07/18
APP: DRP	DATE: 01/07/18

STANDARD - ST LIGHT
M-18' ALUMINUM
REFERENCE PLATES: TRAF-3064,
TRAF-3135, TRAF-3360

STANDARD
PLATE
NO.
TRAF-3287-R4