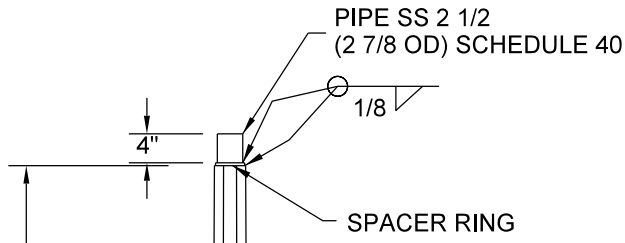
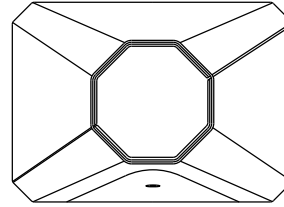
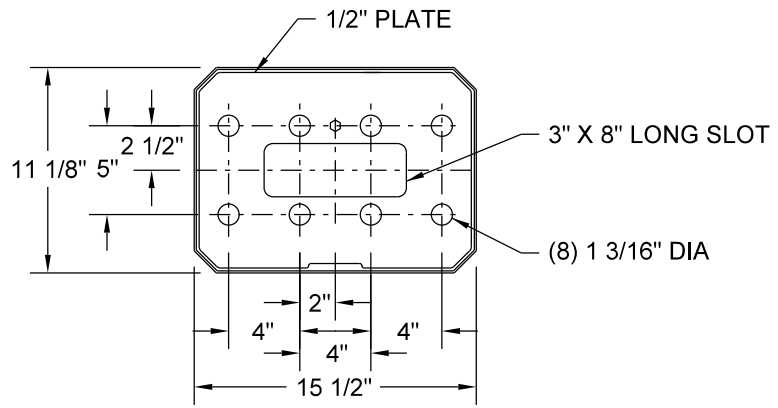
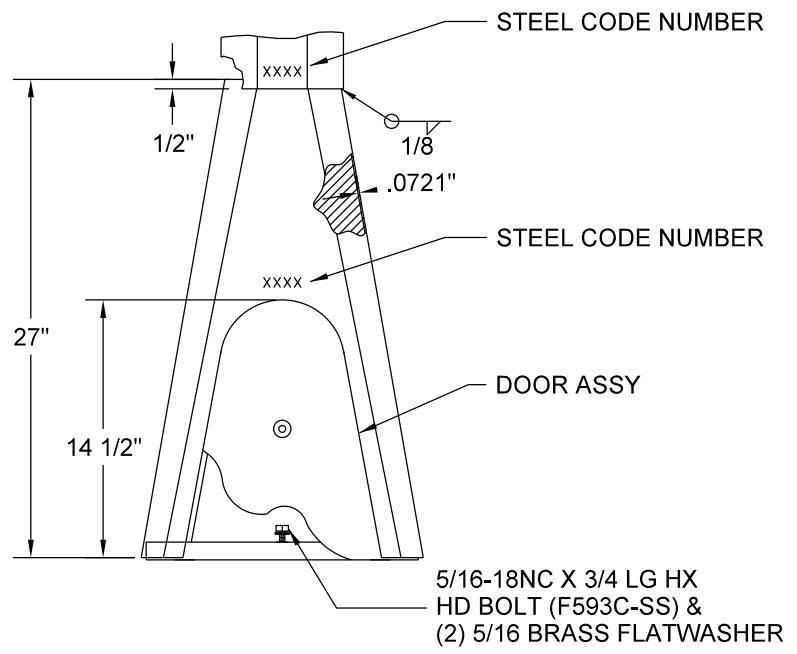


SEAM WELD

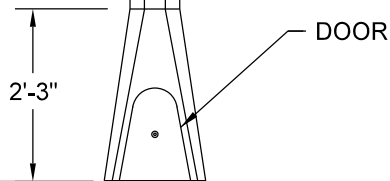


10'-6"
NOMINAL
MOUNTING
HEIGHT

.0721" X 7.4" X 4.0" X 8'-3"
(22 7/16" + 12 1/16" = 34 1/2")



POLE M-BASE DETAIL



NOTE:

1. MATERIAL - STAINLESS STEEL ASTM A240 (TYPE 201L) 50,000 PSI MIN. YIELD.
BASE PLATE MATERIAL- STAINLESS STEEL ASTM A240 (TYPE 304L), 25,000 PSI MIN. YIELD
SLIPFITTER MATERIAL- STAINLESS STEEL ASTM A312 (TYPE 304L) 35,000 PSI MIN. YIELD

2. FINISH: EPOXY PRIMER

3. FINISH: PAINTED TROPICAL BLACK

4. DO NOT GROUT BETWEEN BASE AND FOUNDATION. AIR MUST BE ALLOWED TO FLOW THROUGH THE POLE TO PREVENT MOISTURE BUILD-UP.

STANDARD
PLATE
NO.
TRAF-3252-R1

STANDARD - ST. LIGHT
M-10'-6" STAINLESS STEEL 8-BOLT -
BRIDGE

DATE: 5/4/11

DATE: 5/4/11

DRW: CLK

APP: DRP



NO SCALE