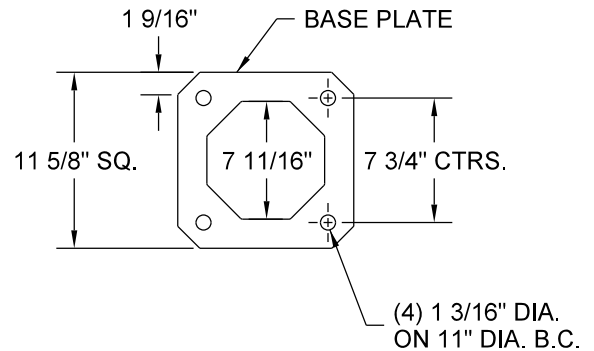
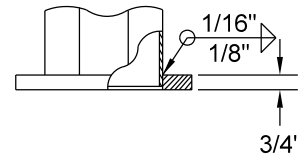
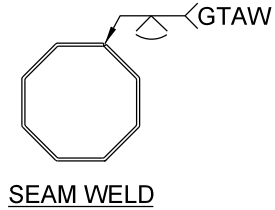
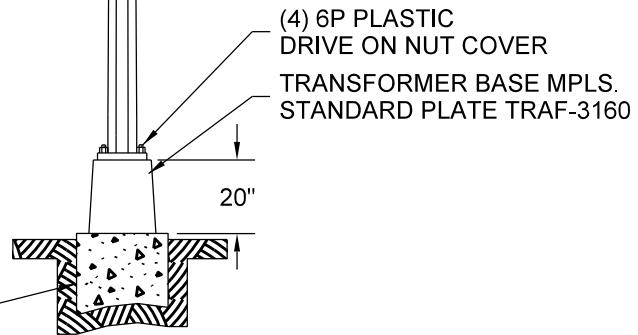


- NOTES:
1. MATERIAL - STAINLESS STEEL
 ASTM A240 (TYPE 201L) 50,000 PSI
 MIN. YIELD. BASE PLATE MATERIAL TO BE
 25,000 PSI MIN. YIELD STAINLESS STEEL
 ASTM A240 (TYPE 304L)
 SLIPFITTER MATERIAL - STAINLESS STEEL
 ASTM A312 (TYPE 304L), 35,000 PSI MIN. YIELD
 2. FINISH-EPOXY PRIMER.
 3. FINISH-UPS BROWN THERMO-SET
 ACRYLIC.



POLE BASE DETAIL



SEE MPLS. STD. PLATES
TRAF-3072

NO SCALE



DRW: CLK

DATE: 5/4/11

APP: DRP

DATE: 5/4/11

STANDARD - ST. LIGHT
 3M-30' STAINLESS STEEL TWIN

REFERENCE PLATES: TRAF-3072, TRAF-3160

STANDARD
 PLATE
 NO.
 TRAF-3211-R1