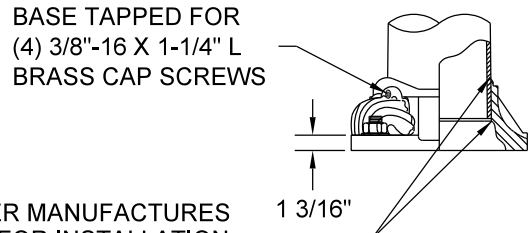
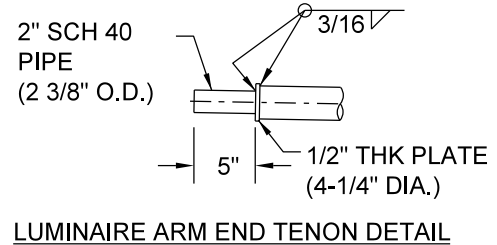
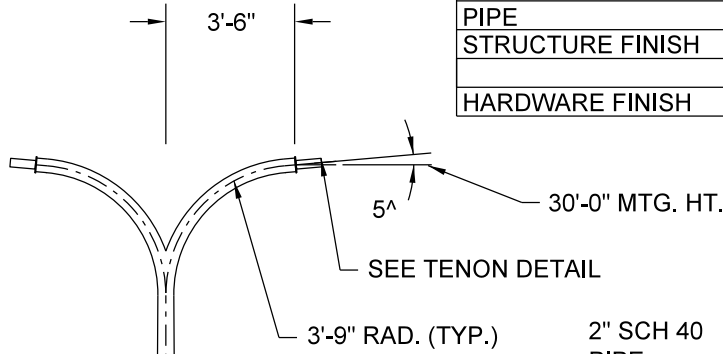
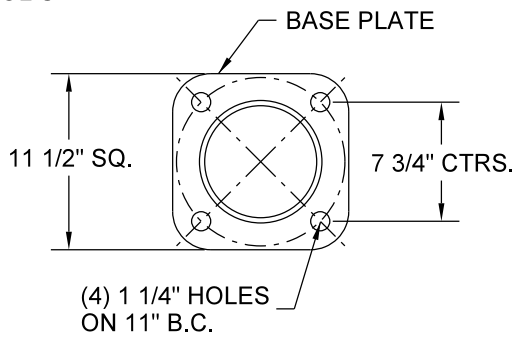


MATERIAL SPECIFICATIONS	
TAPERED TUBE	ASTM A595 GR A
CAST ANCHOR BASE	ASTM A27 65-35
LEAF COVERS	ASTM A48 CL30
PIPE	ASTM A501 or A53 GR B
STRUCTURE FINISH	HD GALV TO ASTM A123 & POWDER COAT
HARDWARE FINISH	HD GALV TO ASTM A153



WELDS PER MANUFACTURES CRITERIA FOR INSTALLATION IN THE CITY OF MINNEAPOLIS



TUBE SIZE
7E-8.00 X 3.78 X 30'-2"
SEE NOTE #3

(4) ORNAMENTAL LEAF NUT COVERS SUPPLIED WITH POLE UNLESS OTHERWISE SPECIFIED

TRANSFORMER BASE MPLS. STANDARD PLATE TRAF-3160

SEE MPLS. STANDARD PLATES TRAF-3072

- NOTES:
1. MATERIAL-HIGH STRENGTH, LOW ALLOY STEEL 50,000 PSI MIN. YIELD, (ASTM A572 OR EQ.) POLE BASE PLATE MATERIAL TO BE 36,000 PSI MIN. YIELD (ASTM A36).
 2. FINISH-UPS BROWN
 3. FINAL TUBE SIZE, FABRICATE FROM 7E-8.00 X 3.78 X 30'-2" & CUT TO FINAL LENGTH AFTER BENDING. (7 GA = 0.179" WALL THICKNESS) (E = ROUND TAPERED STEEL TUBE @ 0.14 in/ft TAPER.)

NO SCALE

	DRW: EAV	DATE: 7/2/18	STANDARD - ST. LIGHT 3M-30' GALVANIZED STEEL TWIN REFERENCE PLATES: TRAF-3072, TRAF-3160	STANDARD PLATE NO. TRAF-3207-R2
	APP: DRP	DATE: 7/2/18		