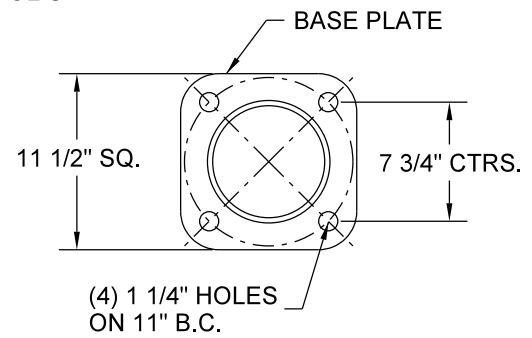
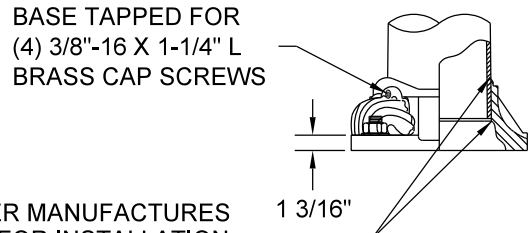
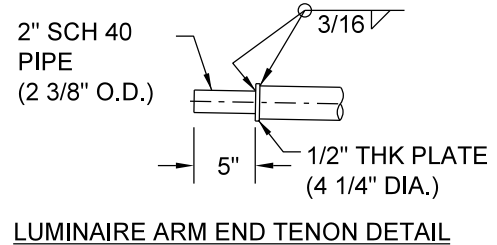
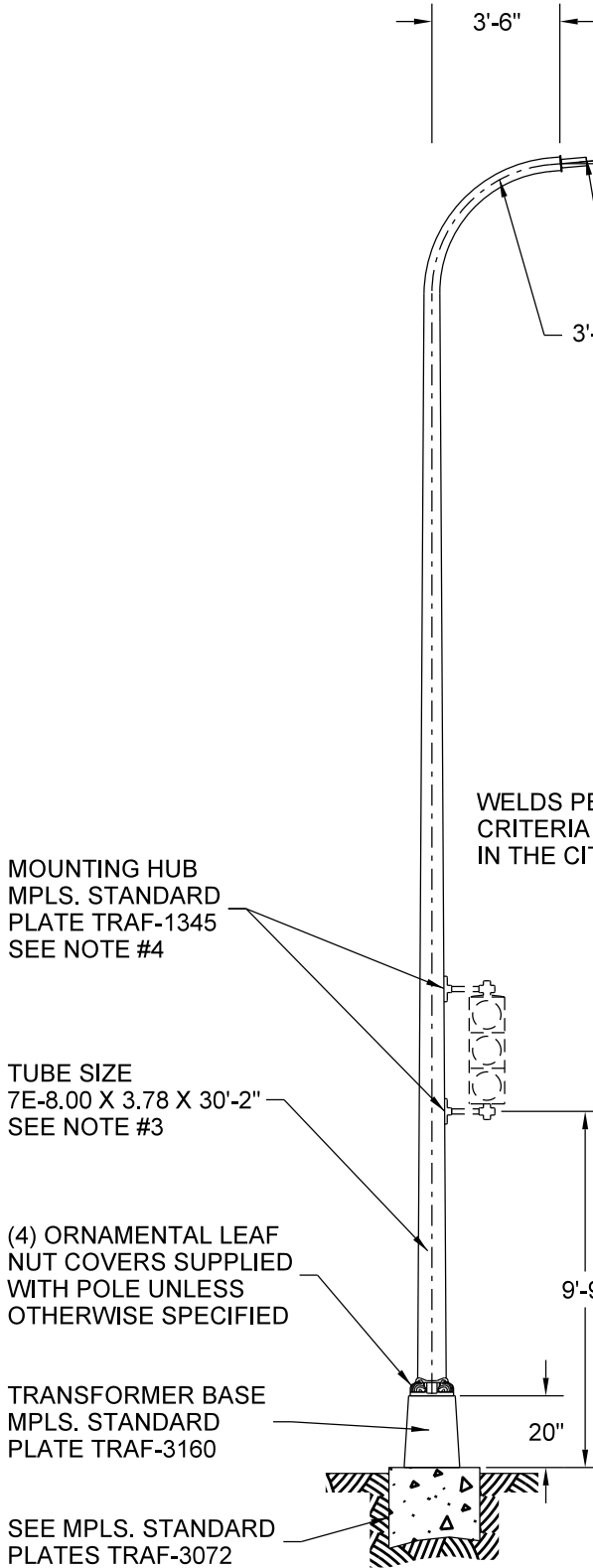


| MATERIAL SPECIFICATIONS |                                    |
|-------------------------|------------------------------------|
| TAPERED TUBE            | ASTM A595 GR A                     |
| CAST ANCHOR BASE        | ASTM A27 65-35                     |
| LEAF COVERS             | ASTM A48 CL30                      |
| PIPE                    | ASTM A501 or A53 GR B              |
| STRUCTURE FINISH        | HD GALV TO ASTM A123 & POWDER COAT |
| HARDWARE FINISH         | HD GALV TO ASTM A153               |



- NOTES:
1. MATERIAL-HIGH STRENGTH, LOW ALLOY STEEL 50,000 PSI MIN. YIELD, (ASTM A572 OR EQ.) POLE BASE PLATE MATERIAL TO BE 36,000 PSI MIN. YIELD (ASTM A36).
  2. FINISH-UPS BROWN
  3. FINAL TUBE SIZE, FABRICATE FROM 7E-8.00 X 3.78 X 30'-2" & CUT TO FINAL LENGTH AFTER BENDING.  
(7 GA = 0.179" WALL THICKNESS)  
(E = ROUND TAPERED STEEL TUBE @ 0.14 in/ft TAPER.)
  4. NOT REQUIRED FOR STANDALONE STREET LIGHT.

NO SCALE

|  |            |                |                                                                                                        |                                          |
|--|------------|----------------|--------------------------------------------------------------------------------------------------------|------------------------------------------|
|  | DRAWN: EAV | DATE: 10/12/18 | STANDARD - ST. LIGHT<br>3M-30' GALVANIZED STEEL<br>REFERENCE PLATES: TRAF-3072, TRAF-3160<br>TRAF-1345 | STANDARD<br>PLATE<br>NO.<br>TRAF-3206-R7 |
|  | APP: DRP   | DATE: 10/12/18 |                                                                                                        |                                          |