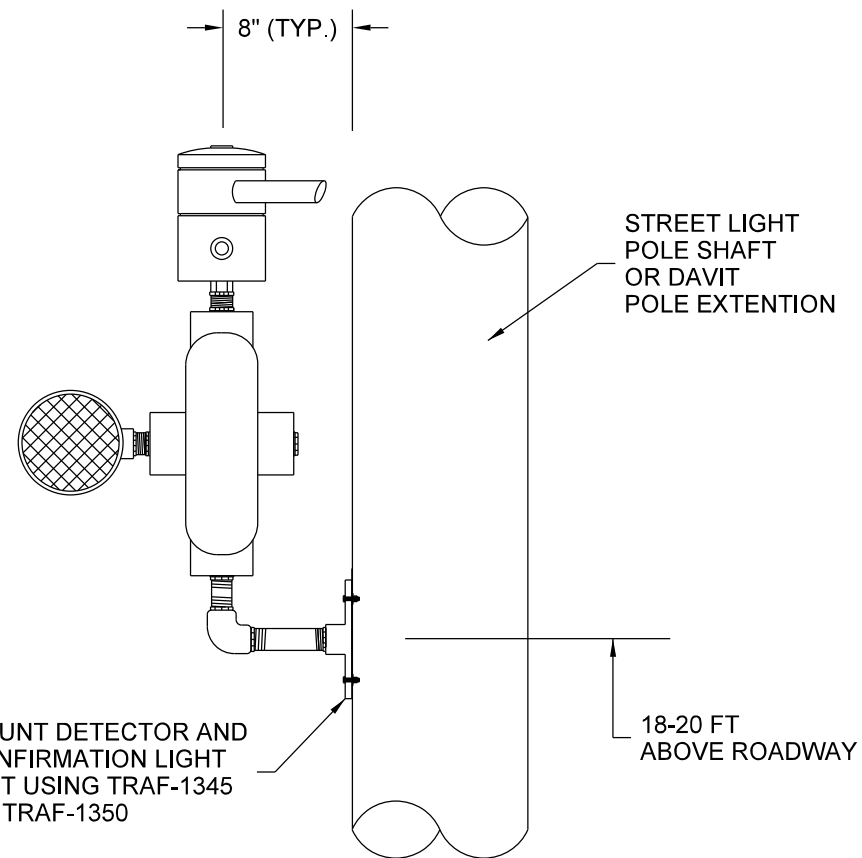
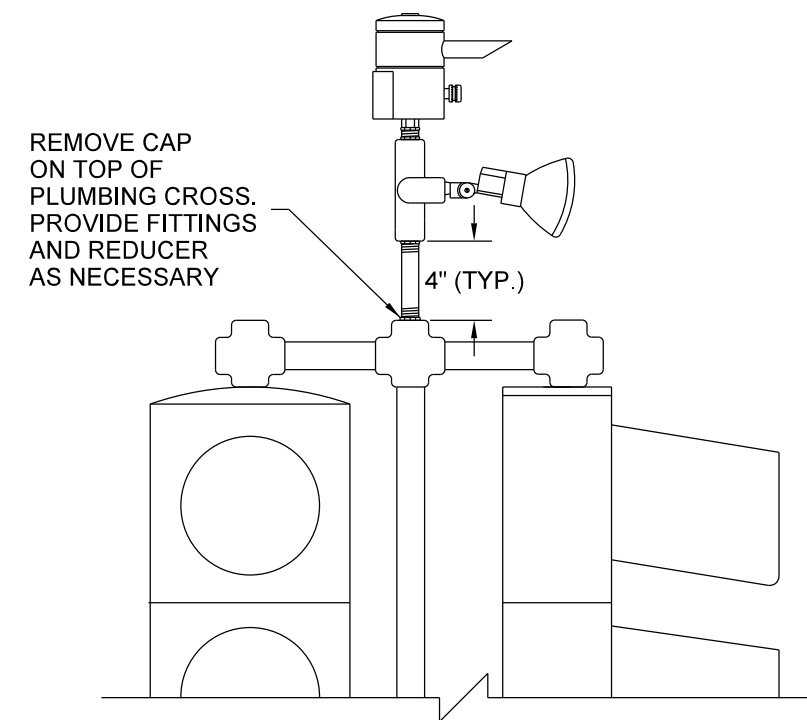


**FRONT VIEW
MASTARM MOUNTING**



**FRONT VIEW
STREET LIGHT POLE
MOUNTING**

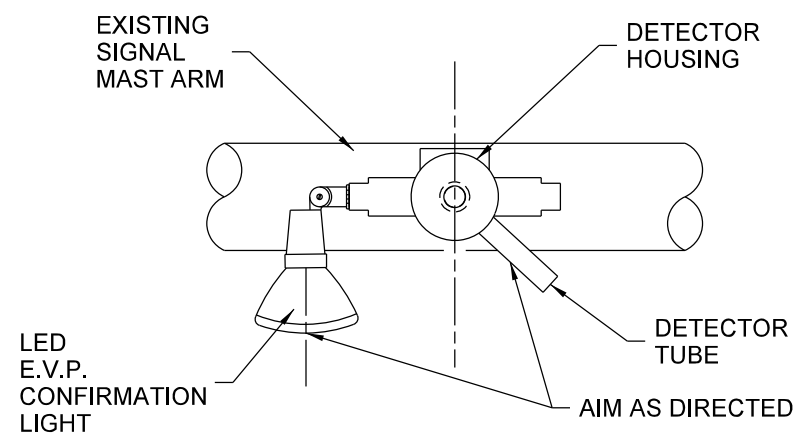


**SIDE VIEW
PEDESTAL
MOUNTING**

REMOVE CAP
ON TOP OF
PLUMBING CROSS.
PROVIDE FITTINGS
AND REDUCER
AS NECESSARY

**TYPICAL DETECTOR AND CONFIRMATION
LIGHT MOUNTING DETAILS**

- NOTE:
1. FINAL ALIGNMENT AND CONFIGURATION OF FINISHED ASSEMBLY TO BE DETERMINED BY THE ENGINEER.
 2. WIRE 3/C #20 CONTINUOUS FROM E.V.P. DETECTOR TO CABINET.
 3. WIRE 2/C #14 w/GRD. CONTINUOUS FROM LIGHT TO CABINET.
 4. ALL PIPE 3/4"
 5. SEE SPECIAL PROVISIONS FOR EQUIPMENT SPECIFICATIONS
 6. PROVIDE LOCKNUTS ON ALL THREADED NIPPLES



**TOP VIEW
MASTARM
MOUNTING & AIMING DETAIL**

NO SCALE



DRW: BKK	DATE: 12/12/17	DETECTION - SIGNAL MOUNTING - OPTICAL EVP REFERENCE PLATES: TRAF-1345, TRAF-1350	STANDARD PLATE NO. TRAF-1770-R1
APP: DRP	DATE: 12/12/17		