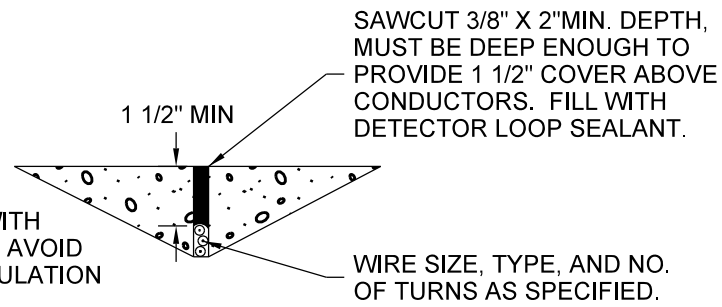
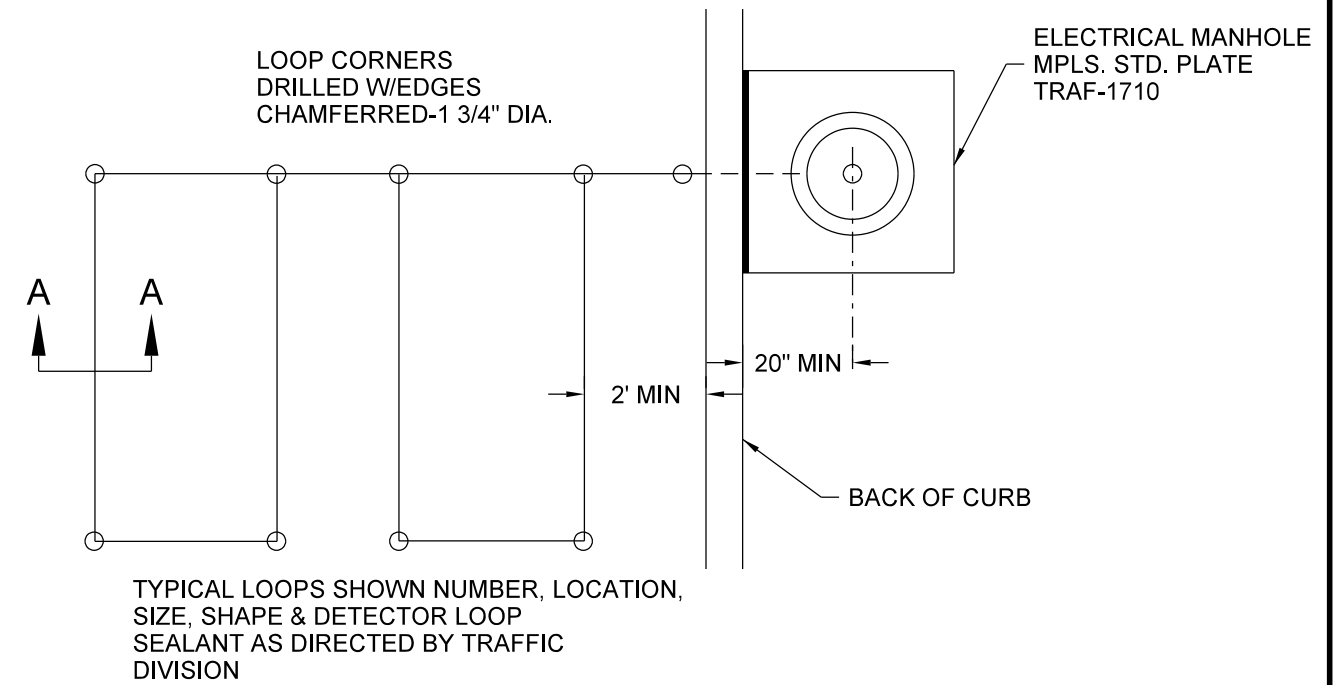


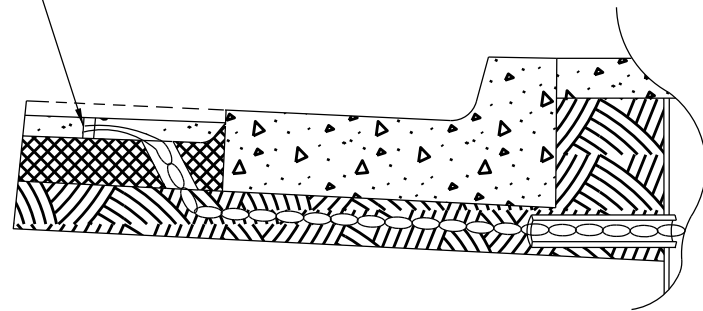
LOOP WIRING



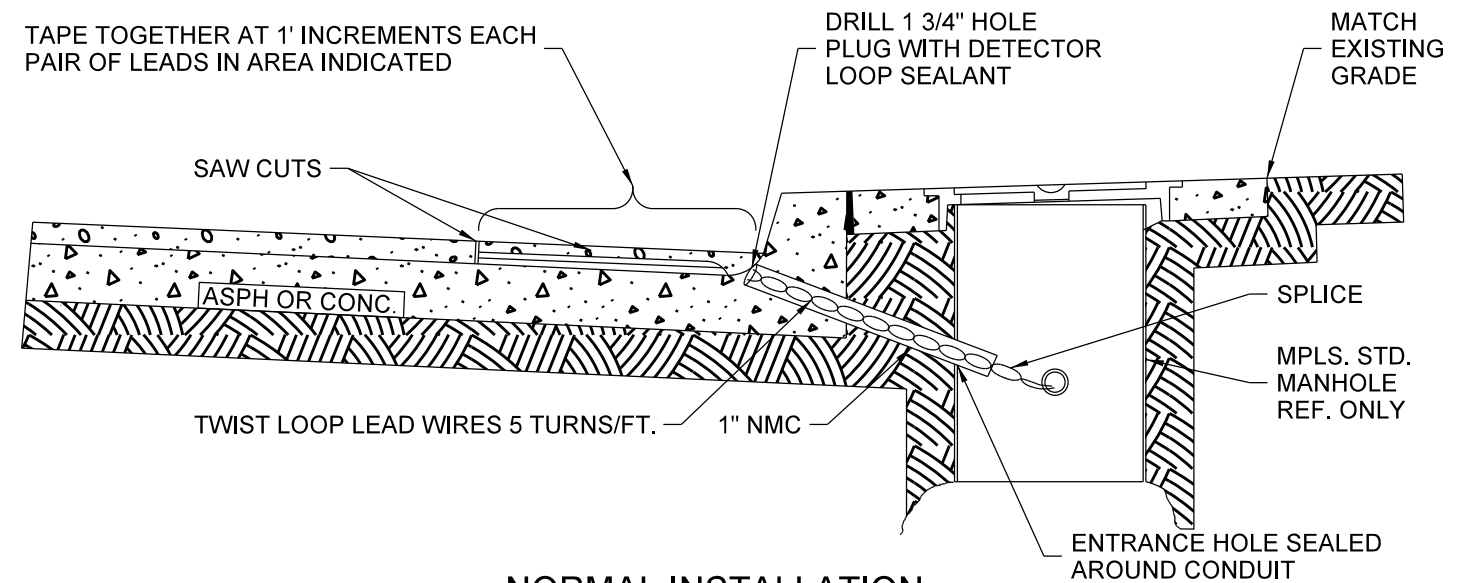
SECTION A-A



BEFORE WEAR COURSE IS LAID,
SAW CUT LOOPS INTO BASE



OPTION FOR NEW ASPHALT



NORMAL INSTALLATION



DRW: LPK DATE: 1/1/11
APP: DRP DATE: 1/1/11

DETECTION - SIGNAL
LOOP INSTALLATION
REFERENCE PLATE: TRAF-1710

STANDARD
PLATE
NO.
TRAF-1760