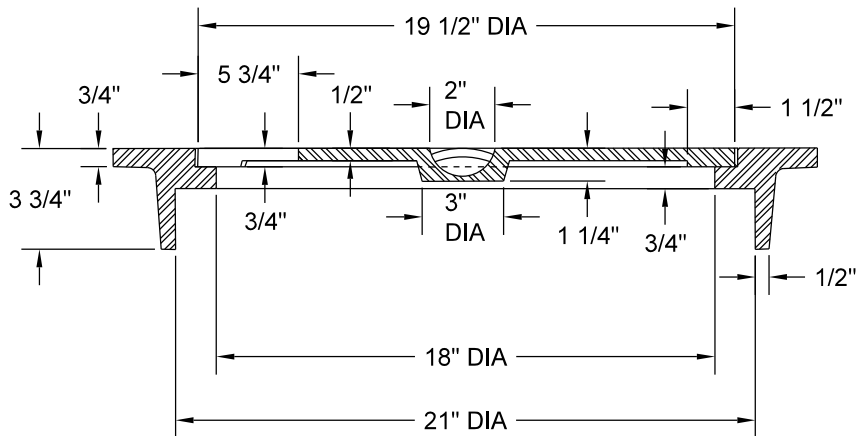
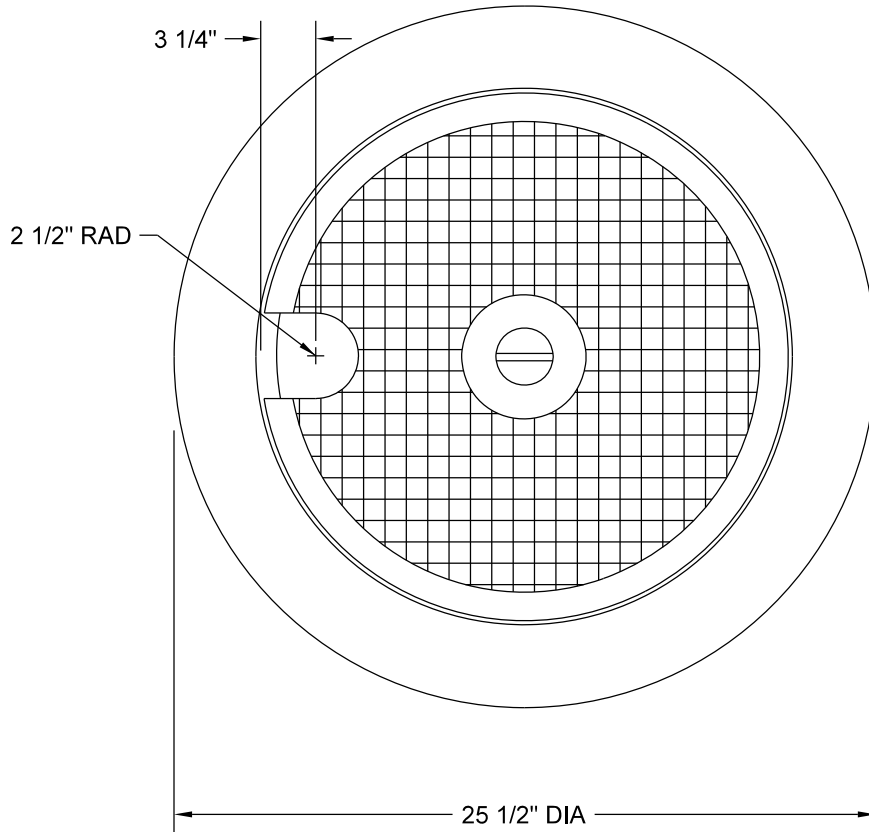


NOTES: 1. RING & COVER TO BE PRIMED W/ RED OXIDE PRIMER.

2. RING & COVER TO BE FINISH PAINTED W/ CITY APPROVED SIGNAL GREEN EXTERIOR ENAMEL.

3. WEIGHT OF RING = 96 LBS.  
WEIGHT OF COVER = 46 LBS



NOTES:  
WEIGHT OF RING = 96 LBS.  
WEIGHT OF COVER = 46 LBS

NO SCALE



DRW: LPK

DATE: 1/1/11

APP: DRP

DATE: 1/1/11

HANDHOLE - SIGNAL/ST. LIGHT  
18" DIA. X 30" - STEEL MODIFIED COVER

STANDARD  
PLATE  
NO.  
TRAF-1720