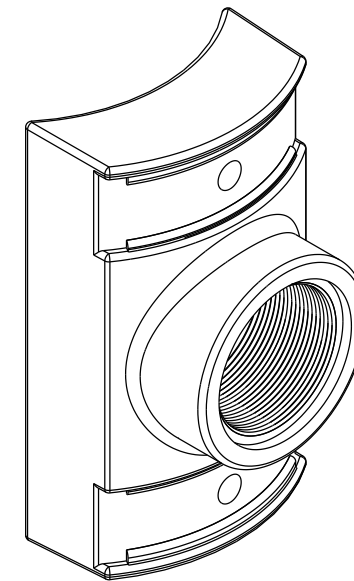
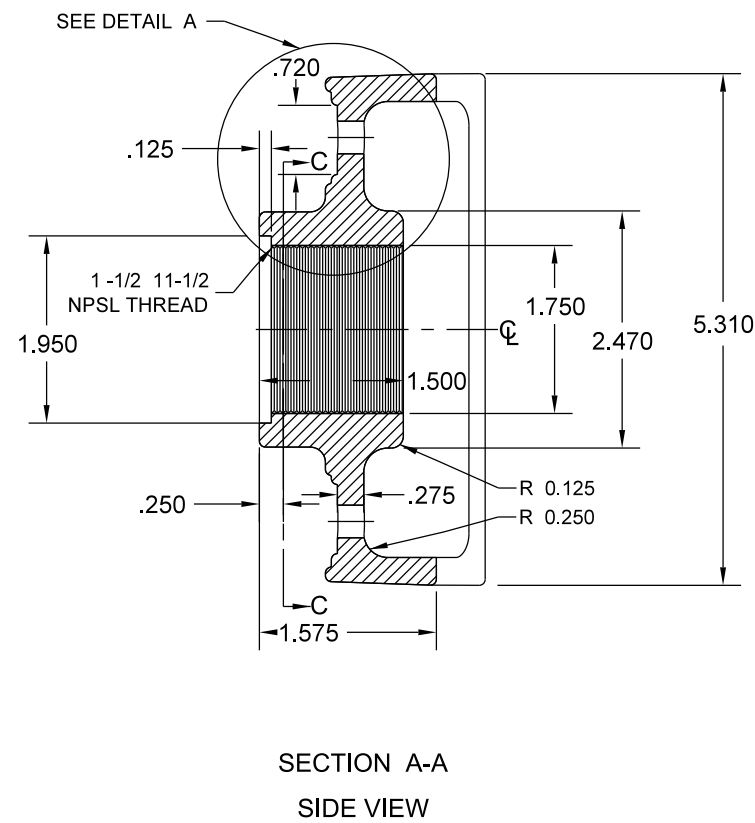
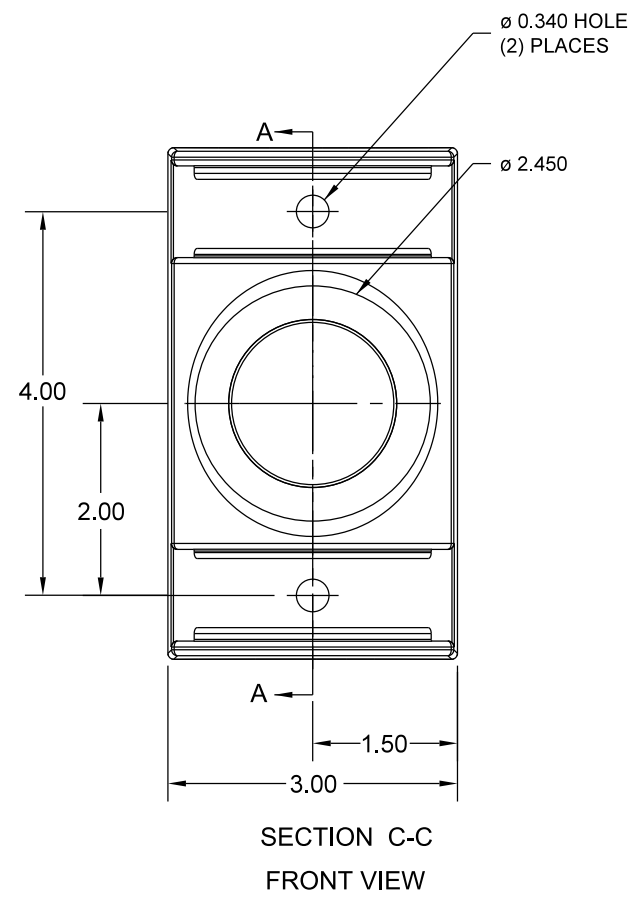


- NOTES:
1. ALL RADII NOT DIMENSIONED SHALL BE 0.063
 2. SHARP CORNERS SHOWN MAY HAVE 0.032 RADIUS
 3. DRAFT ANGLE: 2°
 4. CASTING MUST BE FREE FROM FLASH
 5. HUB ATTACHMENT: DRILL AND TAP TWO HOLES INTO THE POLE STANDARD TO ACCEPT A 5/16"-18 x 2" ZINC PLATED BOLT WITH A FLAT WASHER AND LOCKING WASHER
 6. ALL MEASUREMENTS IN INCHES



	DRW: GG	DATE: 5/15/17	HEAD - SIGNAL -	STANDARD PLATE NO. TRAF-1345-R1
	APP: DRP	DATE: 5/15/17	BRACKETING - POLE PLATE HUB- ROUND BACK REFERENCE PLATES: TRAF-3206	

NO SCALE