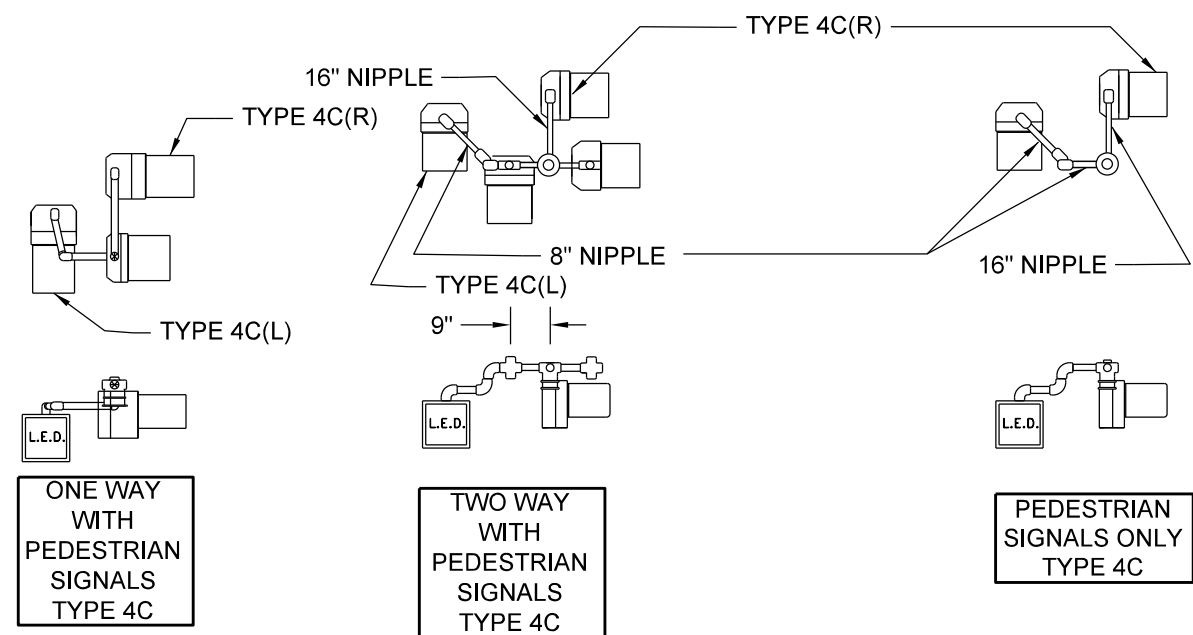
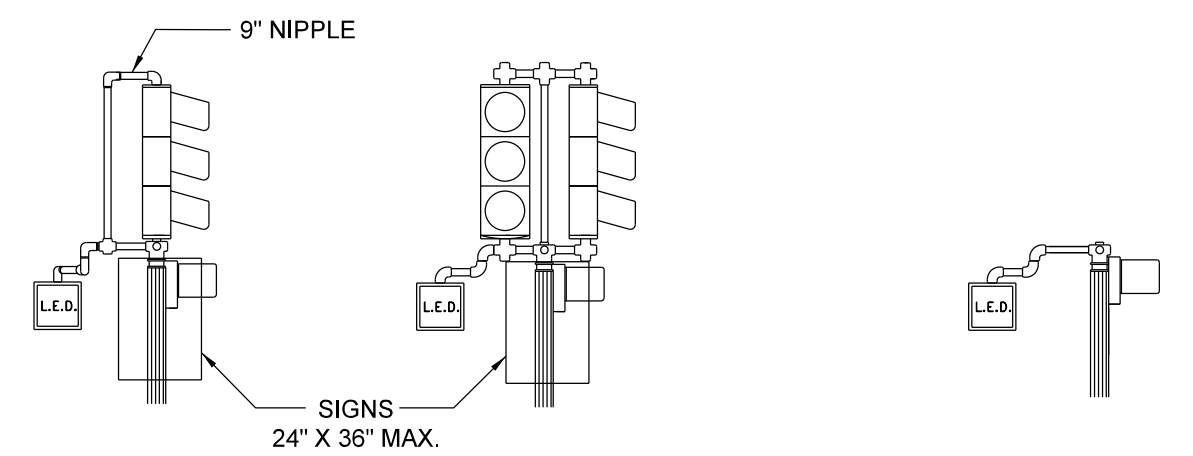
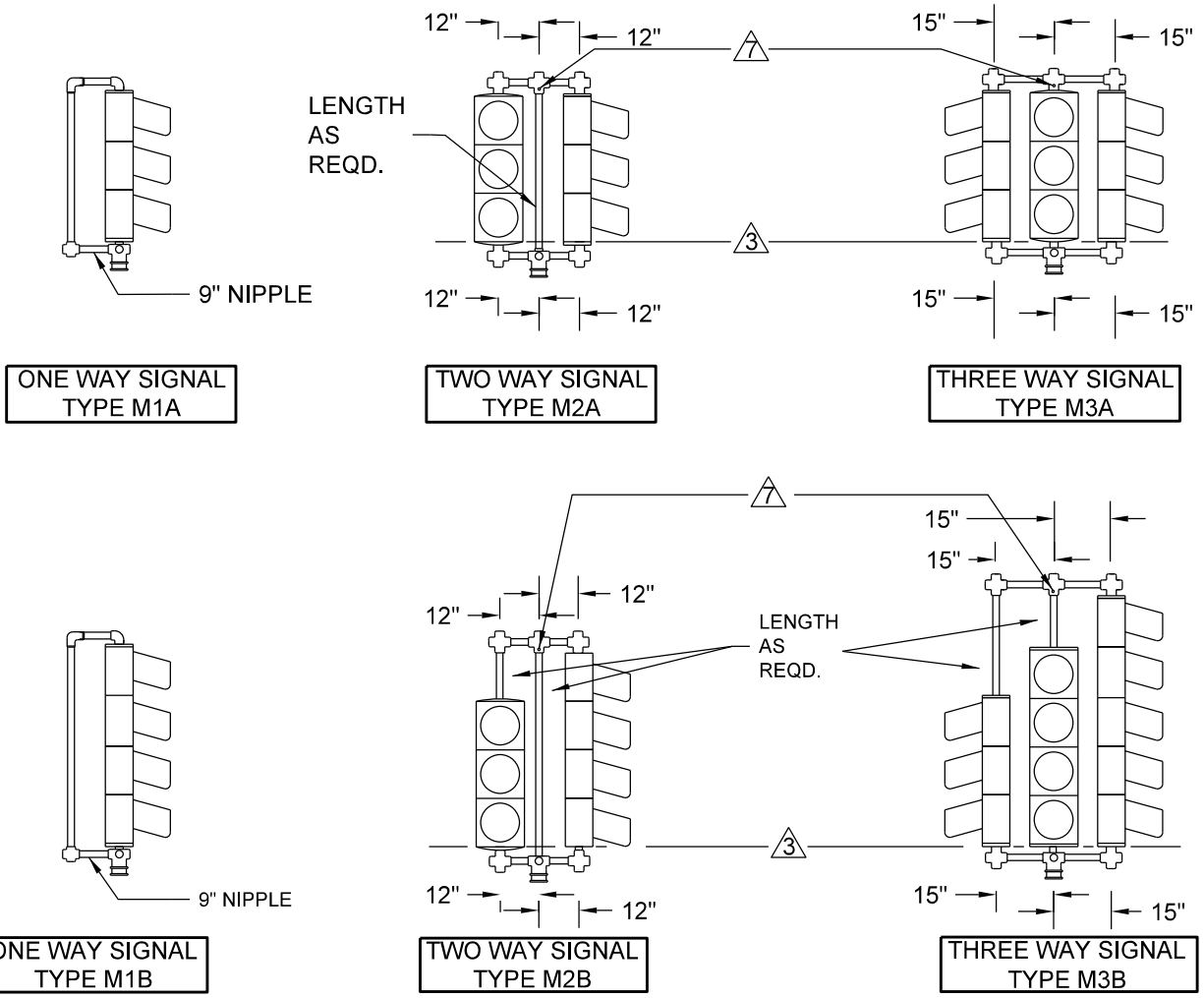


BRACKETING FOR VEHICLE INDICATIONS
 PIPE DIMENSIONS SHOWN ARE FOR
 12" VEHICLE INDICATIONS

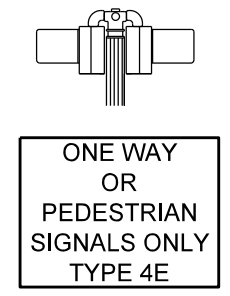
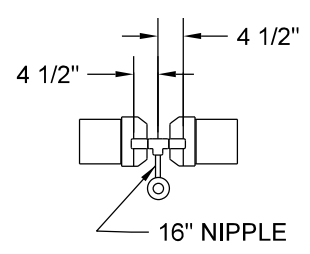
BRACKETING FOR PEDESTRIAN INDICATIONS
 PIPE DIMENSIONS SHOWN FOR 12" X 12"
 PEDESTRIAN INDICATIONS



NOTES:

1. NUMBER OF LENSES PER SIG. FACE SHALL BE AS REQD. IN PLANS OR SPECIAL PROVISIONS
2. BACKGROUND SHIELDS PROVIDED AS REQD. IN PLANS OR SPECIAL PROVISIONS
3. BOTTOMS OF LOWER LENSES IN HEAD ASSEMBLY SHALL BE AT TOP OF SLIPFITTER COLLAR
4. ALL PIPE FITTINGS & SLIP-FITTERS SHALL BE MAL. IRON
5. UNUSED OPENINGS SHALL BE PLUGGED W/ ALUMINUM PIPECAPS
6. ALL BRACKETS & FITTINGS SHALL BE PAINTED PER SPECS.
7. CROSS - THREAD THREE ENDS NO THREAD ONE END WITH SET SCREW
8. ALL HEADS MUST BE PLUMB & LEVEL
9. ALL PIPE FITTINGS AND HEADS MUST BE MADE UP WRENCH TIGHT
10. ALL PIPE THREADS SHALL BE NPT (NATIONAL PIPE THREAD) AS REQUIRED AT THE END OF THE PIPE.

NO SCALE



LEGEND	
	1-1/2" IRON PIPE UNLESS SPECIFIED
	90 DEG. ELBOW-THREAD BOTH ENDS.
	TEE-THREAD ALL ENDS
	CROSS-THREAD THREE ENDS-NO THREAD ONE END W/SET SCREW OR CROSS-THREAD ALL ENDS.
	PEDESTAL SLIPFITTER COLLAR



DRW: GG DATE: 4/10/17
 APP: DRP DATE: 4/10/17

HEAD - SIGNAL
 PEDESTAL MOUNTED BRACKETING

STANDARD PLATE NO.
 TRAF-1340-R5