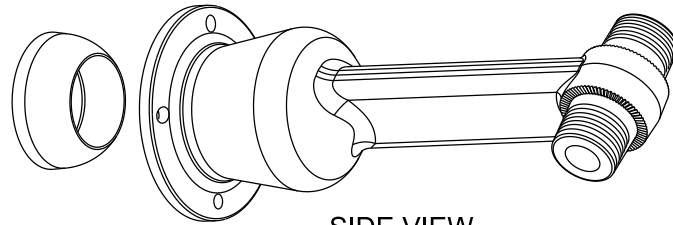
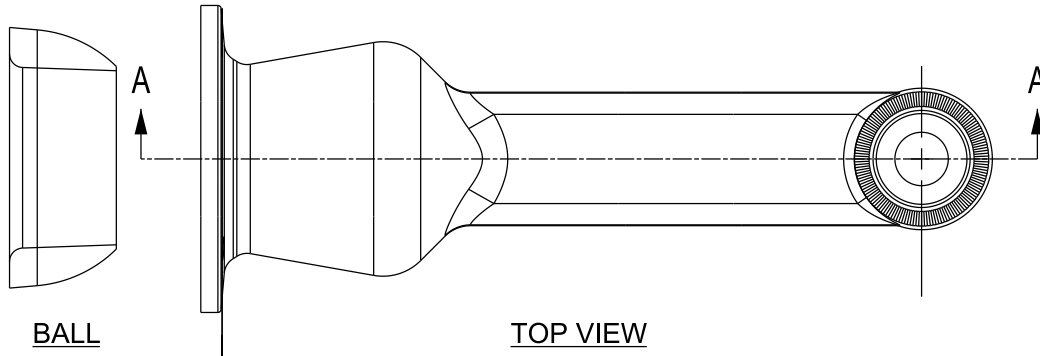


BALL

- (1) PLUMBIZER CASTING
  - (1) BALL CASTING
  - (4) 3/8" X 2 1/2" BOLT
  - (8) 3/8" FLAT WASHER
  - (4) 3/8" SPRING LOCK WASHER
  - (4) 3/8" NUT
  - (2) 25PN 1 1/2" PIPE THREAD LOCK NUT
  - (2) 25MB 2" ID 10 Ga. MACHINE BUSHING (FLAT WASHER)
- APPLY ANTI-SEIZE LUBRICANT TO ALL THREADED SURFACES.

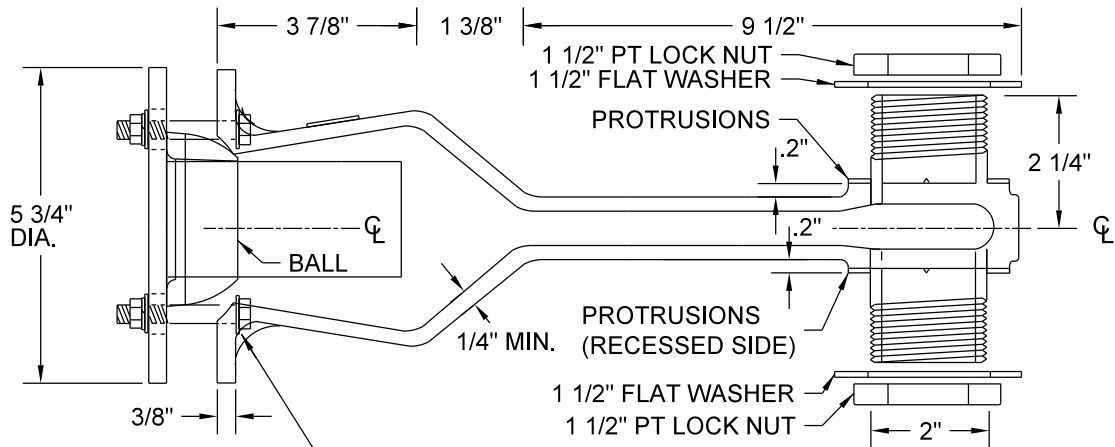


SIDE VIEW



BALL

TOP VIEW



INSTALL SUPPLIED BALL, FOUR SETS OF SUPPLIED 3/8" BOLTS, FLAT WASHERS AND SPRING LOCK WASHERS ON BOLT CIRCUL. (BOLT SETS CAN BE REVERSED - NUTS OUT)

SECTION AA - PLUMBIZER ASSEMBLY

NO SCALE



DRW: EAV

DATE: 1/27/21

APP: DRP

DATE: 1/27/21

POLE - SIGNAL - MASTARM  
PLUMBIZER STRAIGHT MOUNT

STANDARD  
PLATE  
NO.  
TRAF-1234