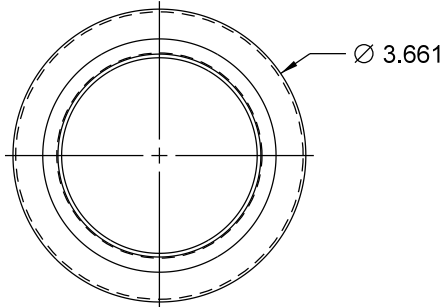
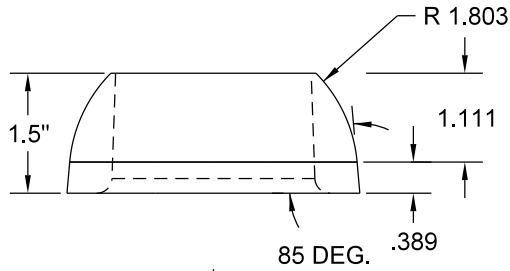


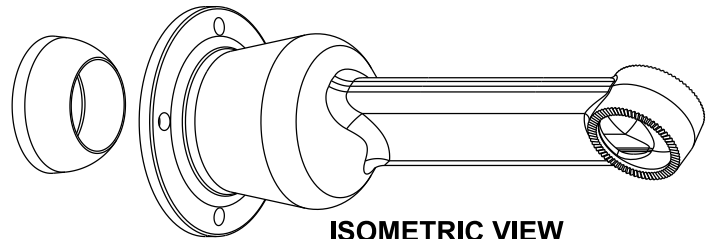
**ELEVATOR PLUMBIZER ASSEMBLY
SUPPLIED HARDWARE ASSEMBLY**

- (1) OPEN END PLUMBIZER CASTING
- (1) BALL CASTING
- (4) 3/8" X 2 1/2" BOLT
- (8) 3/8" FLAT WASHER
- (4) 3/8" SPRING LOCK WASHER
- (4) 3/8" NUT
- (2) 5/16" X 4 1/2" CARRIAGE BOLT
- (2) 5/16" FLAT WASHER
- (2) 5/16" SPRING LOCK WASHER
- (2) 5/16" NUT

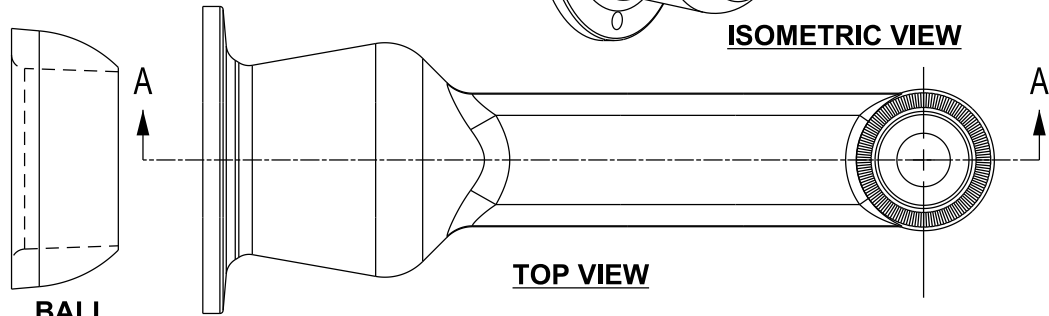
USED WITH PROGRAMMABLE SIGNAL HEADS.
APPLY ANTI-SEIZE LUBRICANT TO ALL THREADED SURFACES.



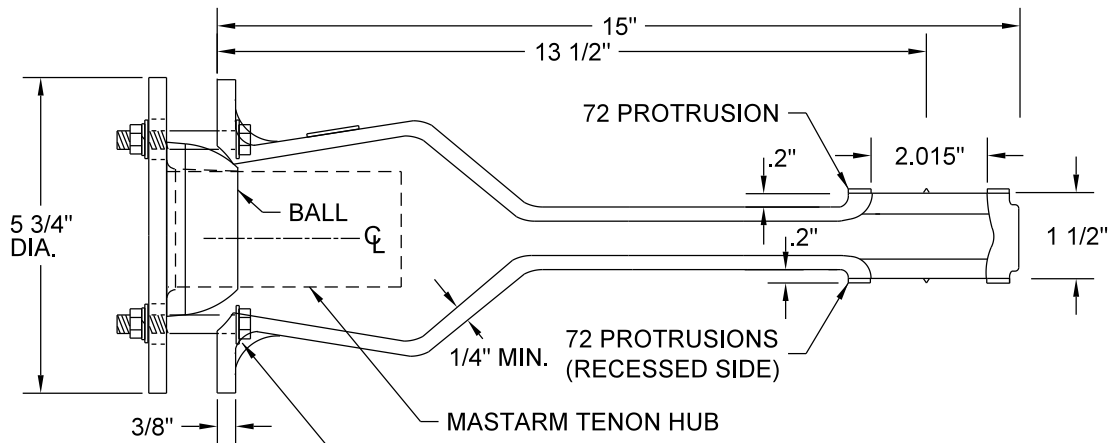
BALL



ISOMETRIC VIEW



TOP VIEW



INSTALL BALL, FOUR SETS OF 3/8" BOLTS,
FLAT WASHERS AND SPRING LOCK WASHERS
ON BOLT CIRCLE. (BOLT SETS CAN BE REVERSED - NUTS OUT)

SECTION "A" - OPEN END STRAIGHT PLUMBIZER ASSEMBLY

NO SCALE



DRW: EAV

DATE: 4/12/21

APP: DRP

DATE: 4/12/21

POLE - SIGNAL - MASTARM
PLUMBIZER
PROGRAMMABLE SIGNAL HEAD

STANDARD
PLATE
NO.
TRAF-1233