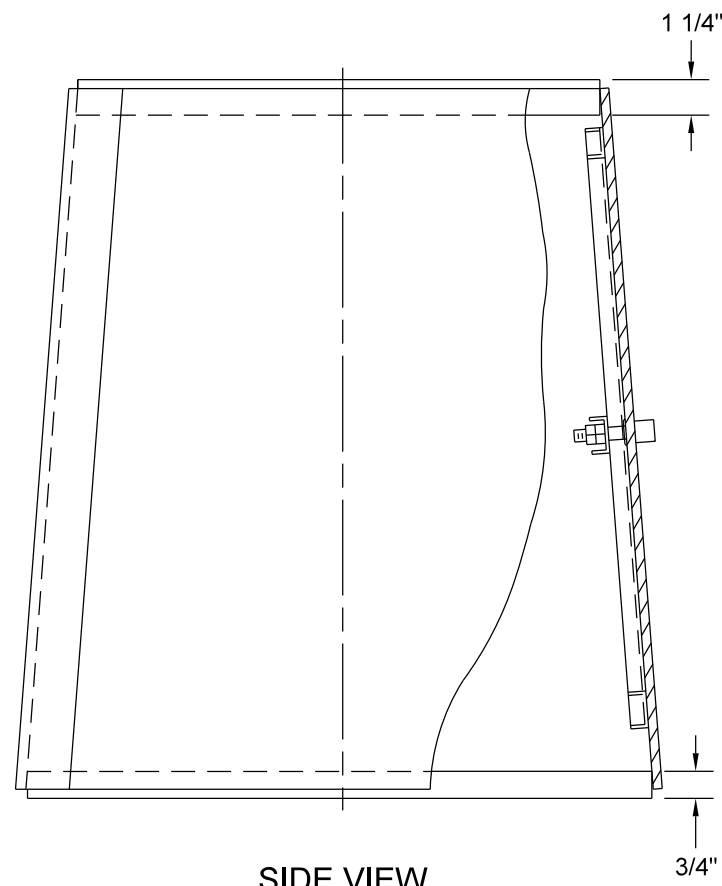
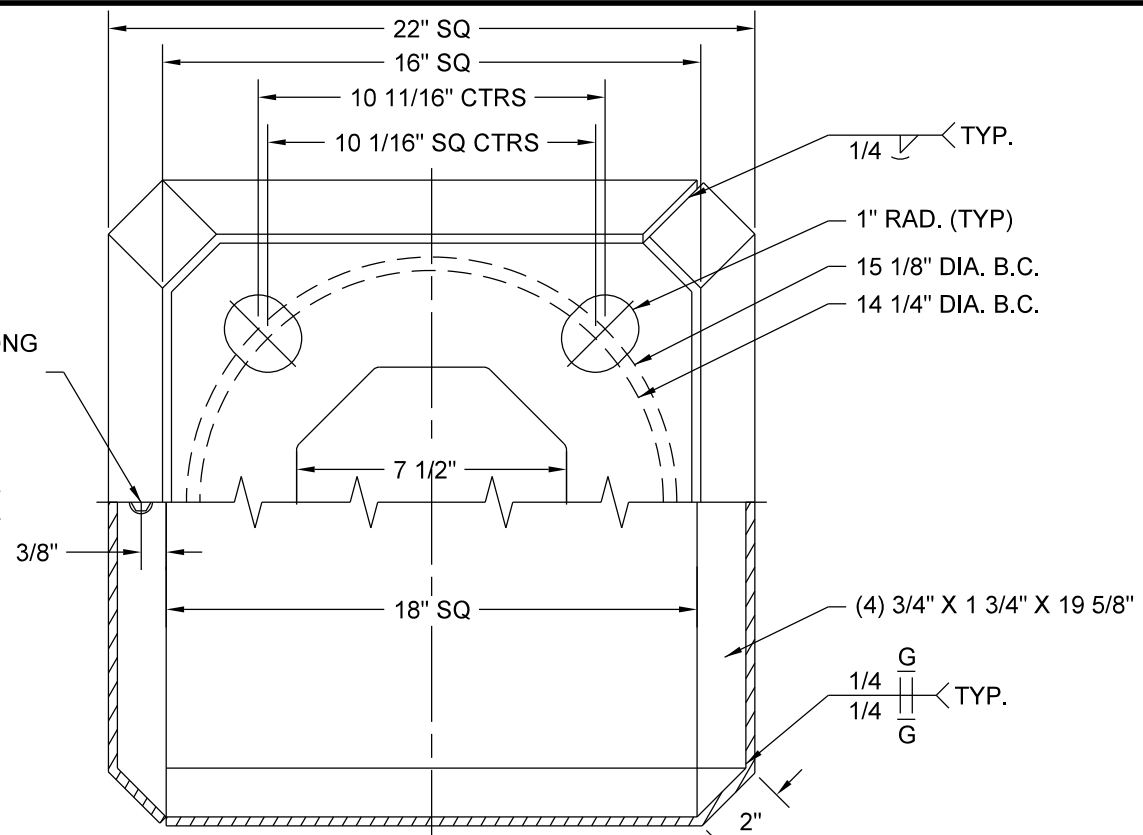
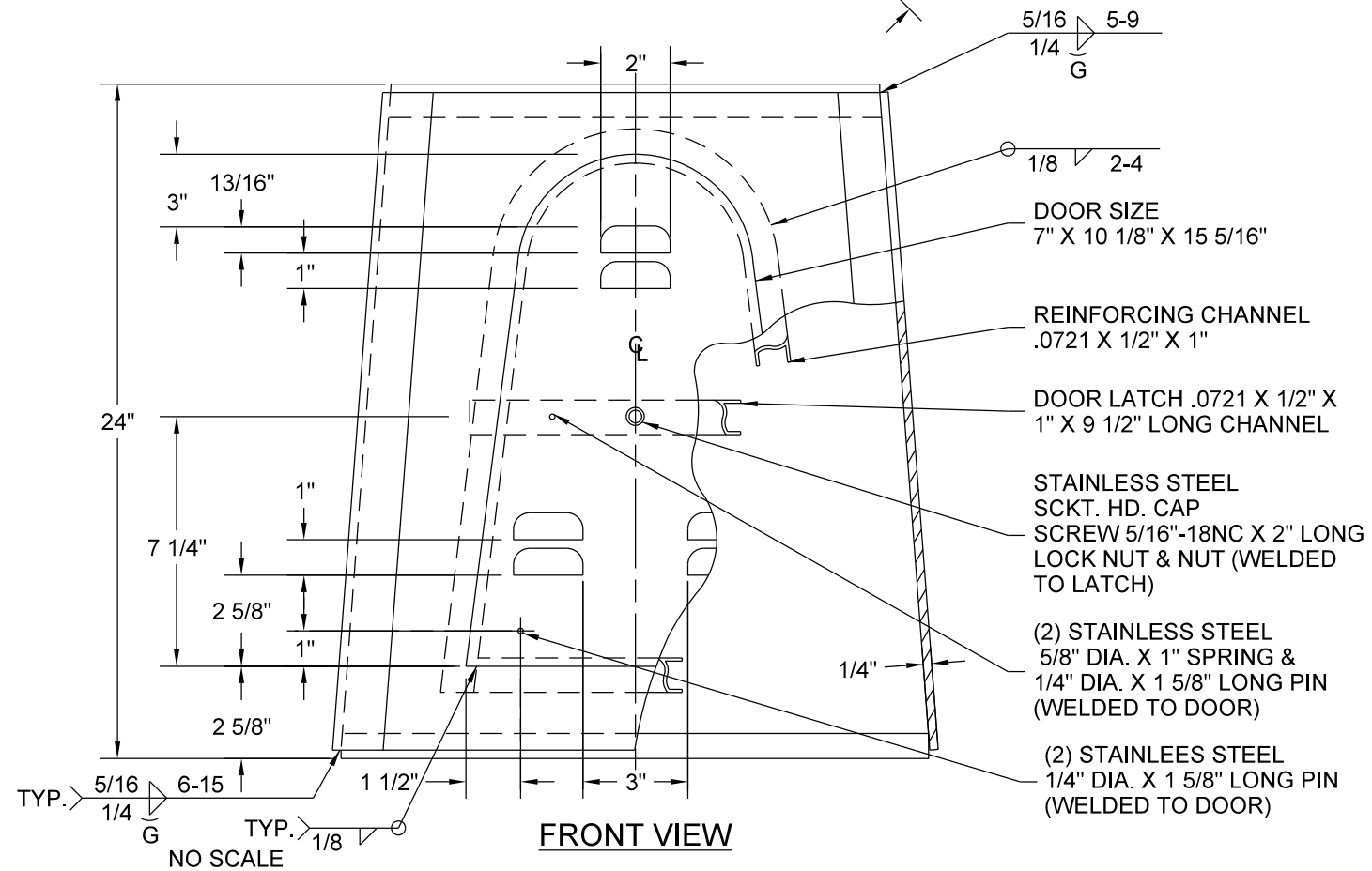


5/16"-18NC TAPPED HOLE WITH 5/16"-18NC X 3/4" LONG HEX HEAD CAP SCREW STAINLESS STEEL & (2) BRASS WASHERS

TOP VIEW



SIDE VIEW



FRONT VIEW



DRW: CLK
DATE: 3/18/16
APP: DRP
DATE: 3/18/16

BASE - SIGNAL
TRANSFORMER TYPE "B" - OVERHEAD

STANDARD
PLATE
NO.
TRAF-1170-R1

- NOTES:
1. SKIRT MATERIAL - STAINLESS STEEL (TYPE 201L) 50,000 PSI MIN. YIELD AFTER FABRICATION. TOP & BOTTOM PLATE MATERIAL - STAINLESS STEEL ASTM A240 (TYPE 304L) 34,000 PSI MIN YIELD.
2. FINISH - EPOXY PRIMER.
3. FINISH - UPS BROWN THERMO-SET ACRYLIC.