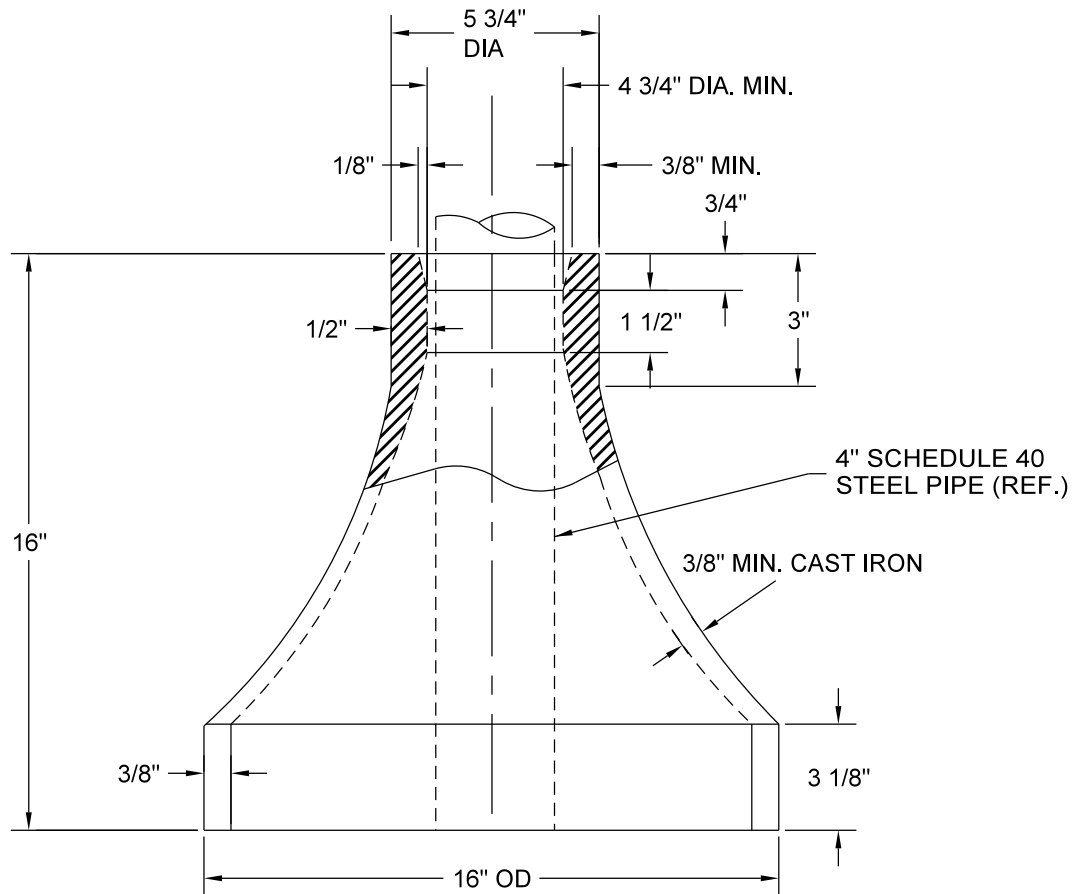
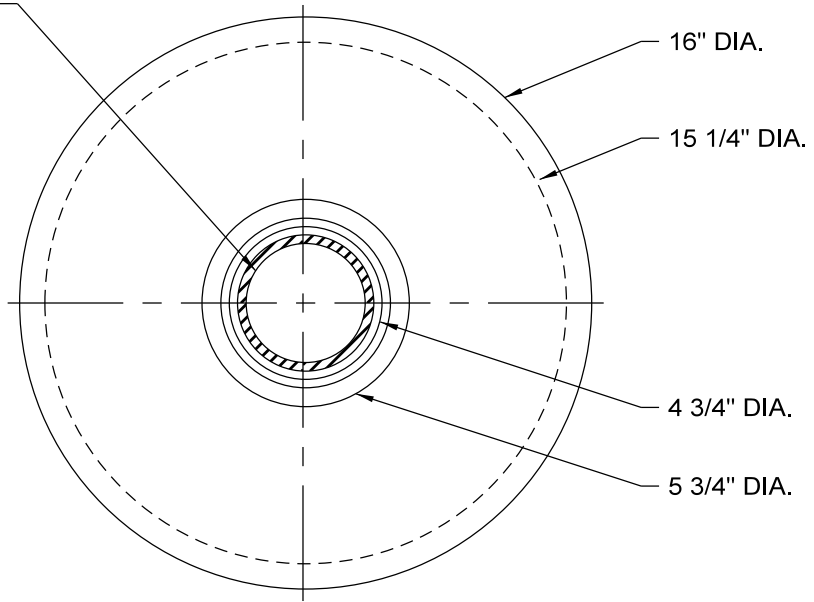


4" SCHEDULE 40
STEEL PIPE (REF.)



NO SCALE



DRW: EAV

DATE: 12/30/20

APP: DRP

DATE: 12/30/20

BASE - SIGNAL
PEDESTAL - FLASHER

STANDARD
PLATE
NO.
TRAF-1160-R2