

30" DIA. X 30"
CONCRETE FORM
W/ 24"X38"X9" CAP
DRAIN TROUGH
STREET SIDE

ALL DUCTS SHALL BE CENTERED
WITHIN RECTANGULAR AREA.
SUPPLY ONE SPARE 3" NMC STUB

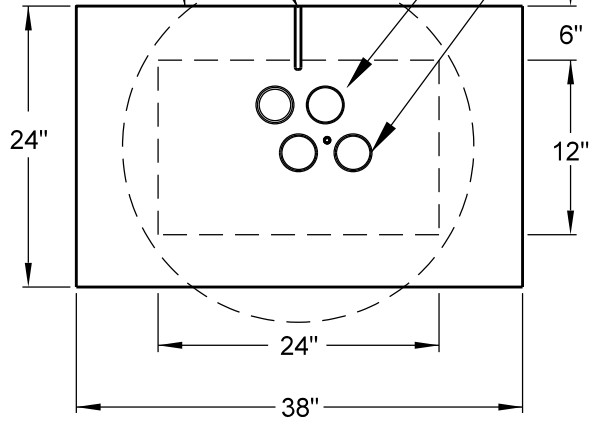
GROUND ROD

NOTES:

1. ALL FOUNDATION LOCATIONS SHALL BE DETERMINED IN FIELD BY TRAFFIC DIVISION AT TIME OF CONSTRUCTION.
2. FOUNDATION TOP SHALL HAVE SQUARE EDGES AND BE FINISHED ON ALL SIDES.
3. CABINET ANCHORS ARE WEDGE ANCHORS, 4 PER CABINET, 1/2" X 4 1/2" STAINLESS STEEL (#304) FULL THREADED.

① 3" FROM HIGHPPOINT OF FINISHED
SIDEWALK GRADE,
4" FROM HIGHPPOINT OF FINISHED
BOULEVARD GRADE.

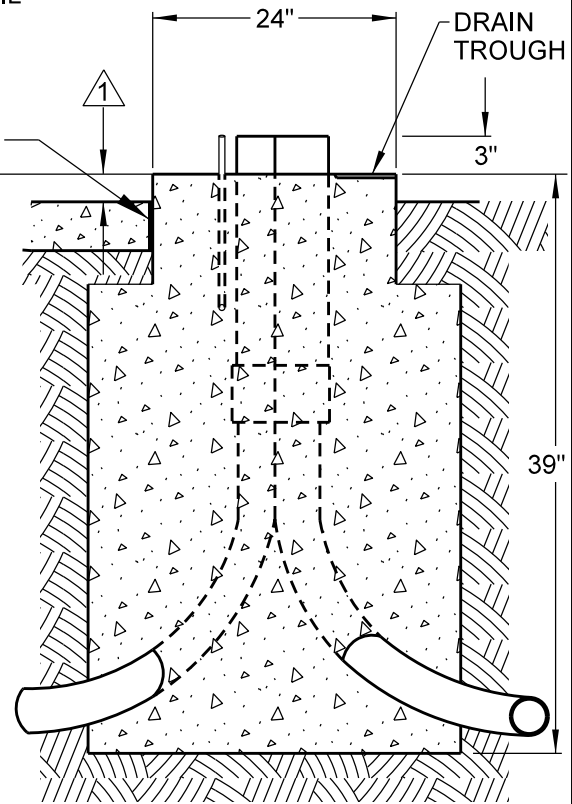
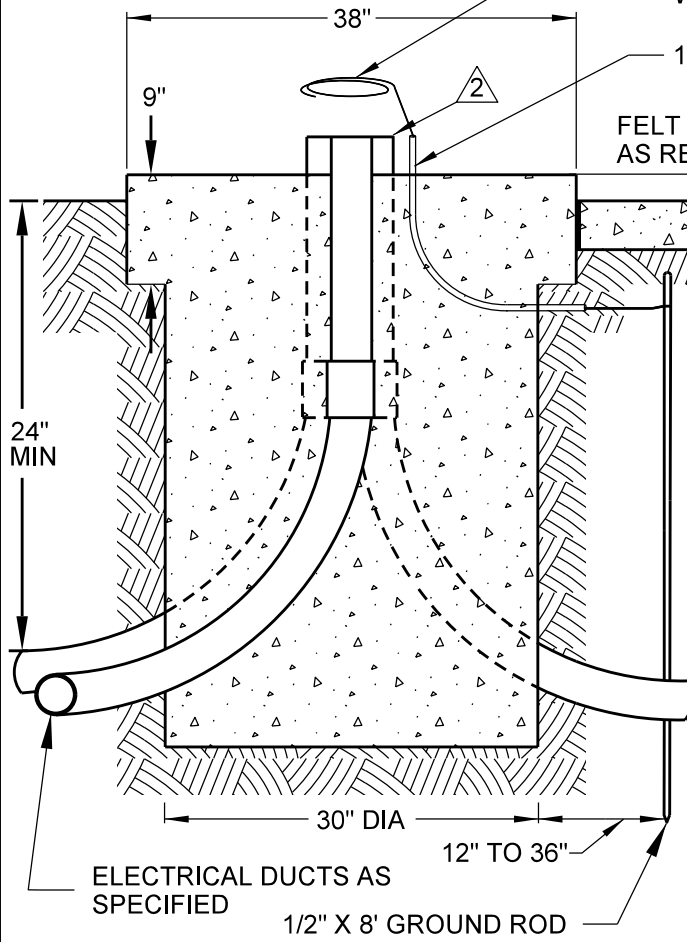
② PROVIDE PROTECTIVE BUSHINGS
ON ALL CONDUITS.



#6 SOLID BARE
COPPER TO
GROUND CLAMP
W/ 36" TAIL

1/2" NMC

FELT JOINTS
AS REQ'D



ELECTRICAL DUCTS AS
SPECIFIED

1/2" X 8' GROUND ROD

NO SCALE



DRW: CLK

DATE: 9/11/12

APP: DRP

DATE: 9/11/12

FOUNDATION - SIGNAL

FIBER HUB CABINET

STANDARD
PLATE
NO.
TRAF-1088-R1