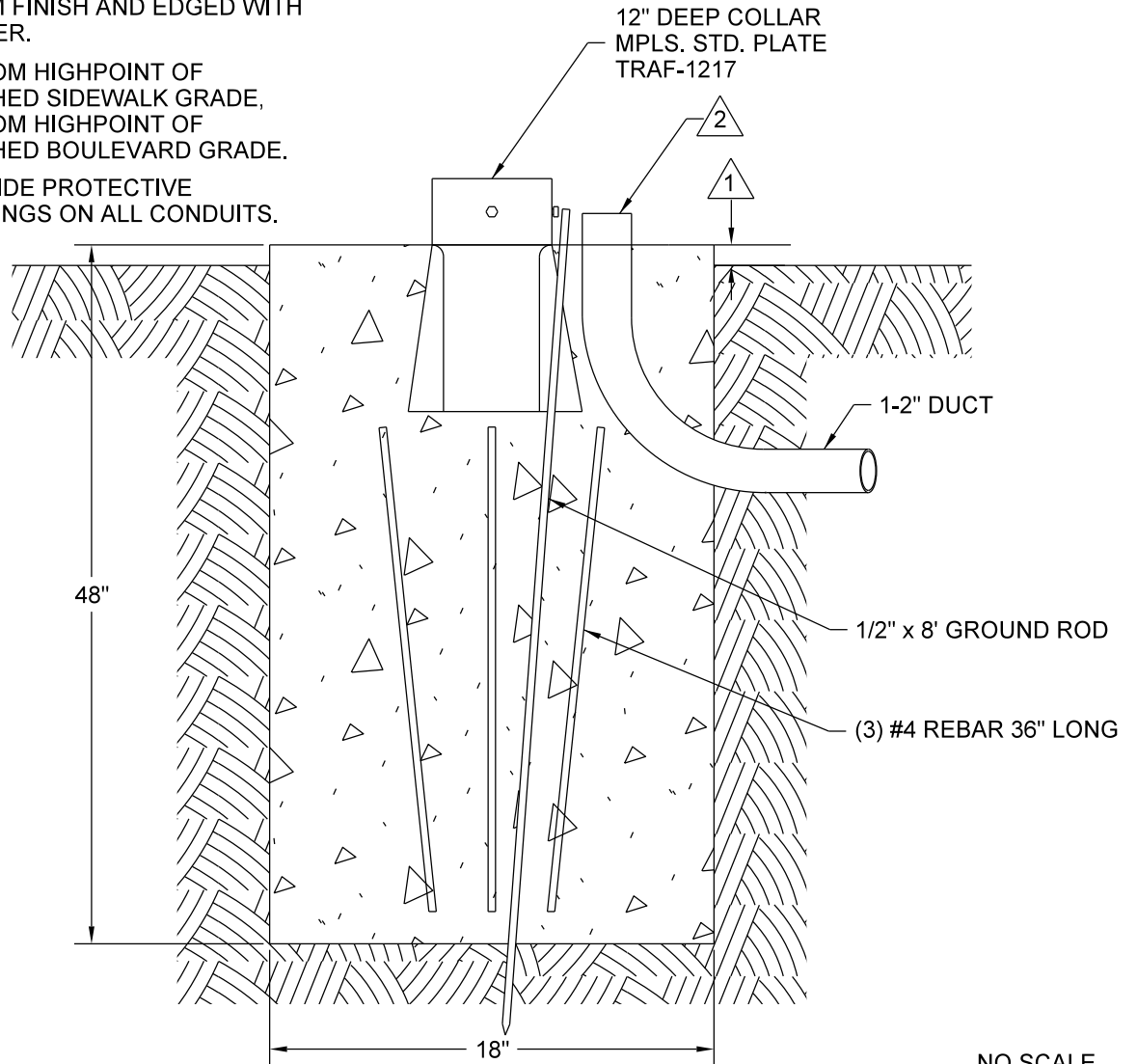


NOTES:

1. ALL FOUNDATION LOCATIONS SHALL BE DETERMINED IN FIELD BY TRAFFIC DIVISION AT TIME OF CONSTRUCTION.
2. FOUNDATION TOP SHALL HAVE A BROOM FINISH AND EDGED WITH 1/2" EDGER.

1 3" FROM HIGHPOINT OF FINISHED SIDEWALK GRADE,
4" FROM HIGHPOINT OF FINISHED BOULEVARD GRADE.

2 PROVIDE PROTECTIVE BUSHINGS ON ALL CONDUITS.



NO SCALE



DRW: EAV

DATE: 11/5/20

APP: DRP

DATE: 11/5/20

FOUNDATION - SIGNAL

PEDESTAL - RRFB

REFERENCE PLATE: TRAF- 1160, TRAF-1217

STANDARD
PLATE
NO.
TRAF-1078