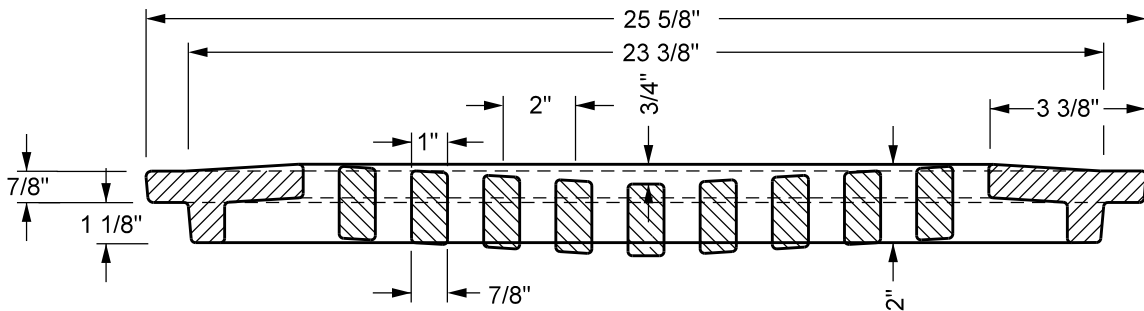


PLAN VIEW



SECTION A-A

NOTES:
 WEIGHT = 143 LBS.
 MATERIAL: GRAY IRON ASTM A-48

REFERENCE PLATE ONLY

MINNEAPOLIS CUSTOM
 MNDOT SPEC. REF. 2506
 NOT TO SCALE



DRW: DCD

DATE: 6/10

APP: KMM

DATE: 12/14

SLOTTED CIRCULAR CONCAVE
 CATCH BASIN GRATE

STANDARD
 PLATE
 NO.
 SEWR-5021