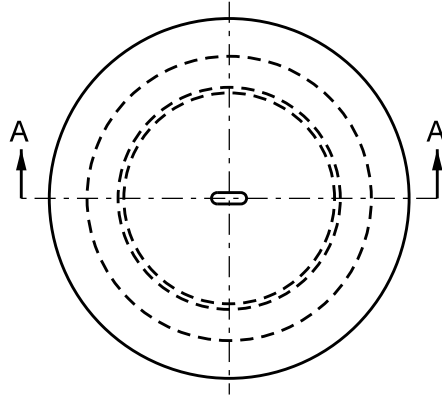
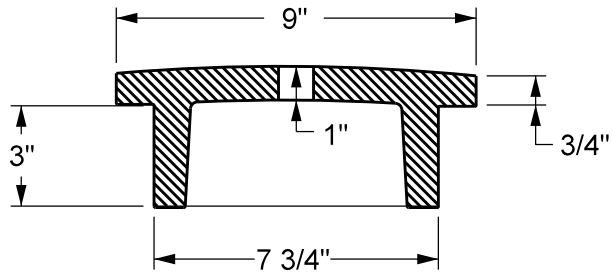


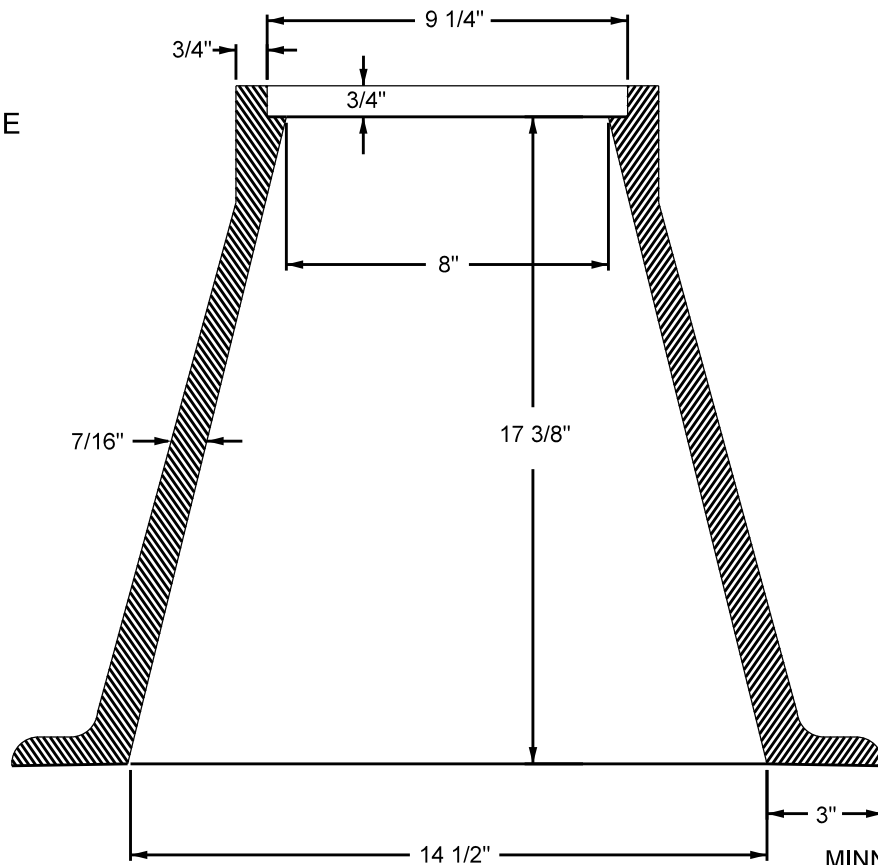
COVER



SECTION A-A



FRAME



NOTES: A-037
WEIGHT = N/A
MATERIAL: GRAY IRON ASTM A-48

REFERENCE PLATE ONLY

MINNEAPOLIS CUSTOM
MNDOT SPEC. REF. 2506
MODIFIED MNDOT 4110F
NOT TO SCALE



DRW: DCD	DATE: 4/10
APP: KMM	DATE: 12/14

LAMPHOLE CASTING & COVER

STANDARD
PLATE
NO.
SEWR-5019