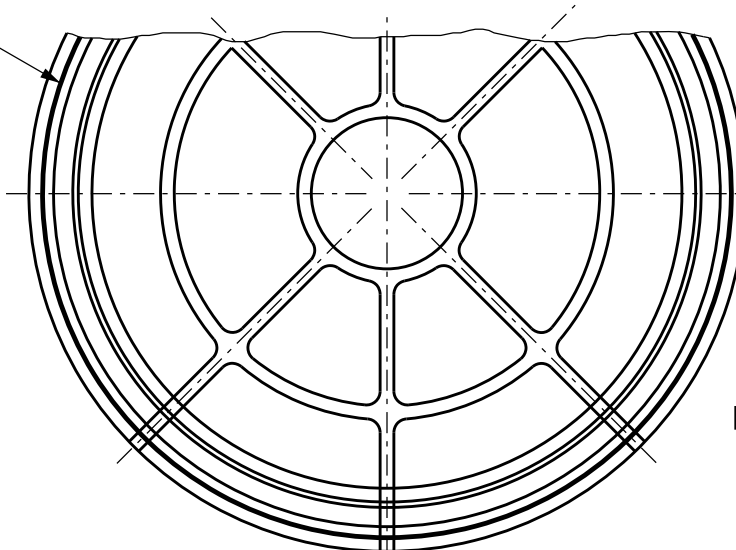


SELF-SEALING GASKET



TO BE USED AT THE DISCRETION OF THE CITY ENGINEER

NOTES:  
WEIGHT = 210 LBS.  
MATERIAL: GRAY IRON ASTM A-48

REFERENCE PLATE ONLY

MINNEAPOLIS CUSTOM  
MNDOT SPEC. REF. 2506  
NOT TO SCALE



DRW: DCD

DATE: 4/07

APP: HRS

DATE: 4/07

SELF-SEALING SOLID MANHOLE COVER

STANDARD  
PLATE  
NO.  
SEWR-5015