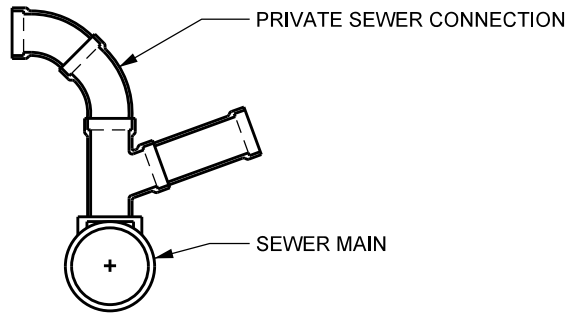
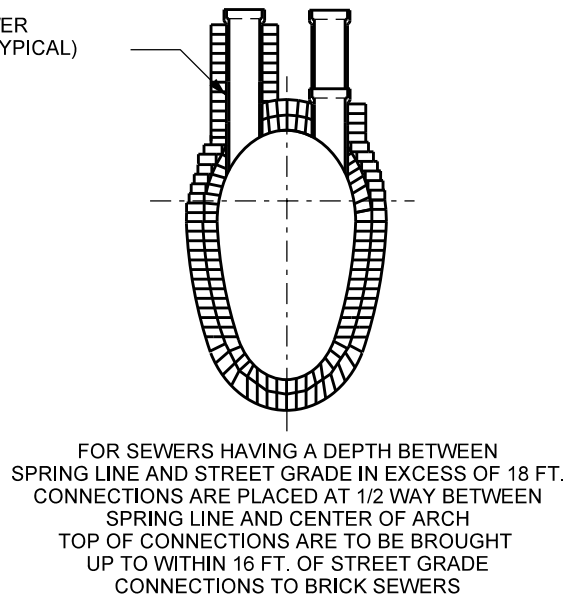
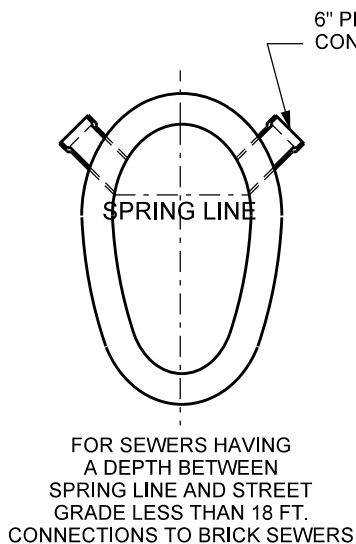


TYPICAL STACK CONNECTION
 CLAY PIPE SEWERS HAVING A DEPTH
 BETWEEN SPRING LINE AND STREET
 GRADE IN EXCESS OF 18'

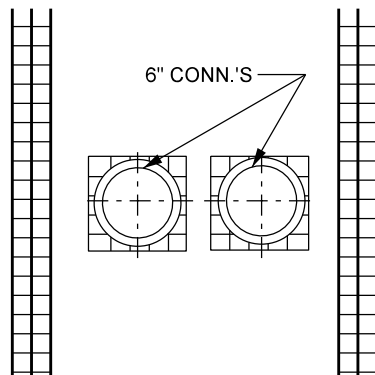


TYPICAL BREECH CONNECTIONS TO BRICK SEWERS

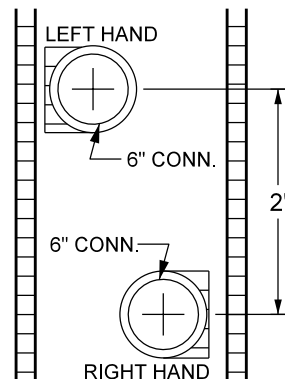


FOR BRICK SEWERS HAVING A DEPTH BETWEEN SPRING LINE AND STREET GRADE IN EXCESS OF 18 FT.

2 RINGS OF BRICK
 33" BRICK EGG AND LARGER
 BREECH/STACK ORIENTATION TOP VIEW



1 RING OF BRICK
 30" BRICK EGG OR LESS
 BREECH/STACK CONNECTION ORIENTATION TOP VIEW
 WHERE SINGLE CONNECTIONS OCCUR
 THE RIGHT HAND ONE COMES FIRST



REFERENCE PLATE ONLY

MINNEAPOLIS CUSTOM
 MNDOT SPEC. REF. 2506, 3612
 NOT TO SCALE



DRW: DCD

DATE: 1/07

APP: HRS

DATE: 1/07

BREACH AND STACKED CONNECTIONS

STANDARD
 PLATE
 NO.
 SEWR-5013