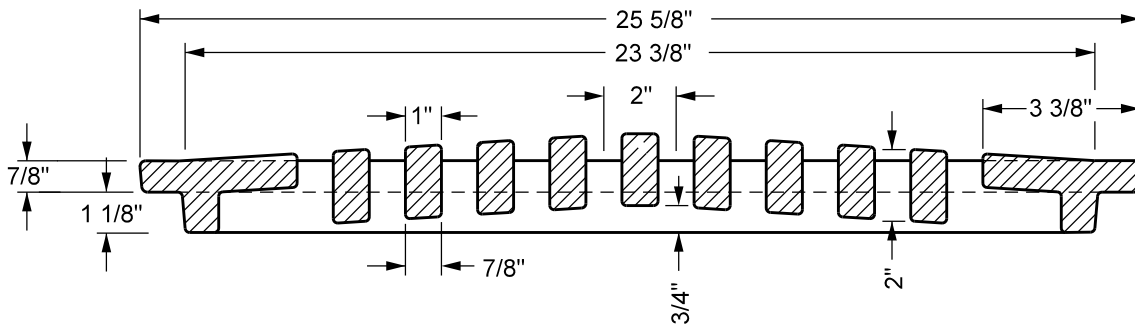


PLAN VIEW



SECTION A-A

REFERENCE PLATE ONLY

NOTES:
 WEIGHT = 143 LBS.
 MATERIAL: GRAY IRON ASTM A-48

MINNEAPOLIS CUSTOM
 MNDOT SPEC. REF. 2506
 NOT TO SCALE



DRW: DCD

DATE: 4/03

APP: HRS

DATE: 1/07

SLOTTED CIRCULAR CONVEX
 CATCH BASIN GRATE

STANDARD
 PLATE
 NO.
 SEWR-5005