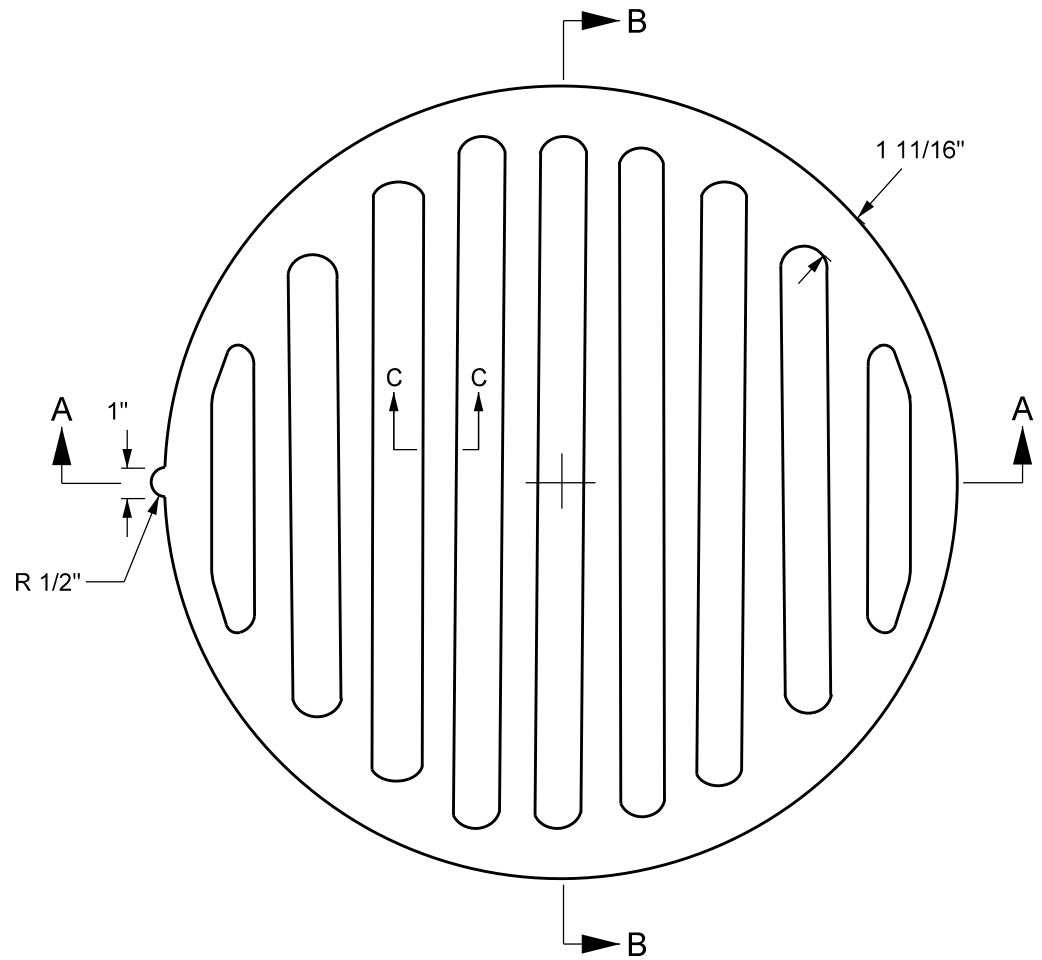
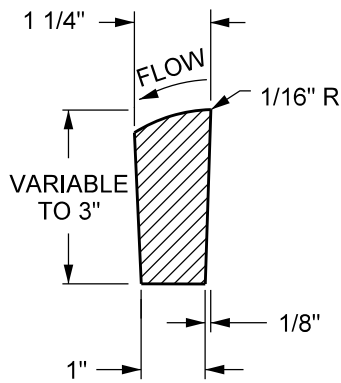


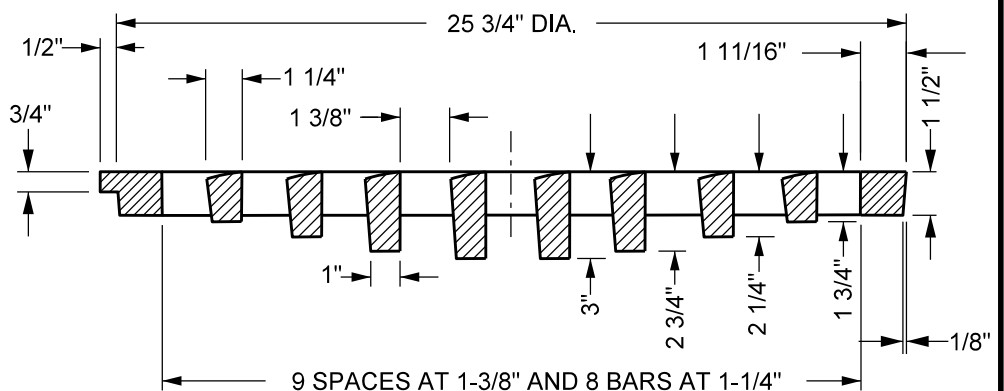
SECTION B - B



TOP VIEW



SECTION C - C



SECTION A - A

REFERENCE PLATE ONLY

NOTES:  
 MATERIAL: GRAY IRON ASTM A-48  
 NOT FOR USE IN NEW CONSTRUCTION.

MNDOT SPEC. REF. 2506, 3321  
 MNDOT 4149C  
 NOT TO SCALE



DRW: CXD

DATE: 1/03

APP: HRS

DATE: 1/07

SLOTTED CIRCULAR CATCH BASIN GRATE

STANDARD  
 PLATE  
 NO.  
 SEWR-5004