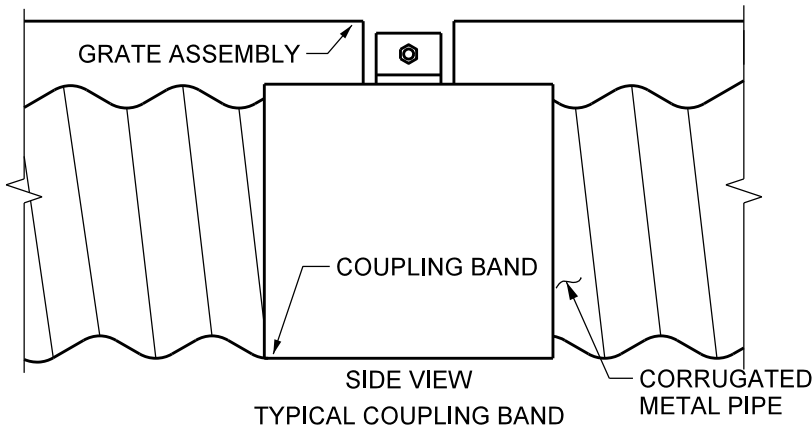
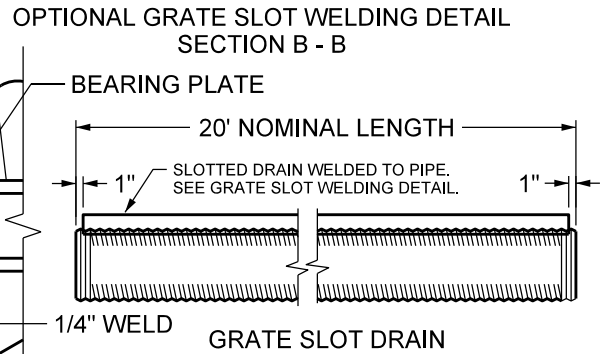
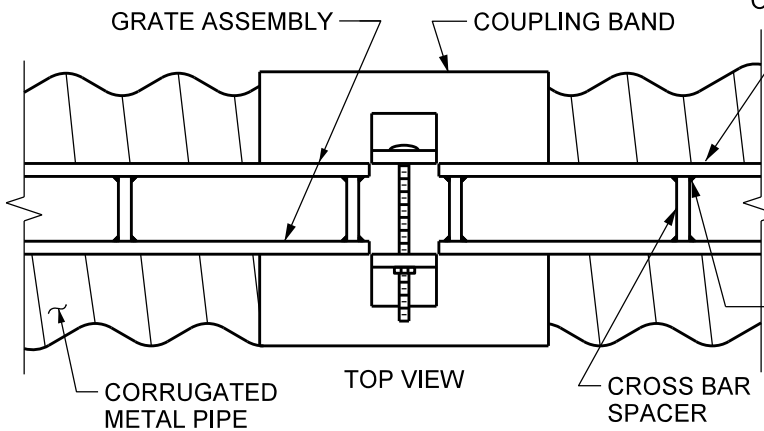
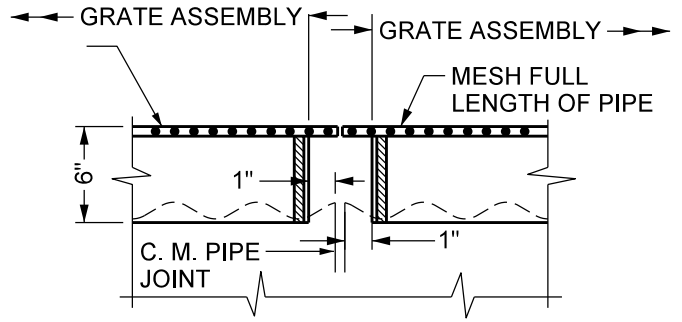
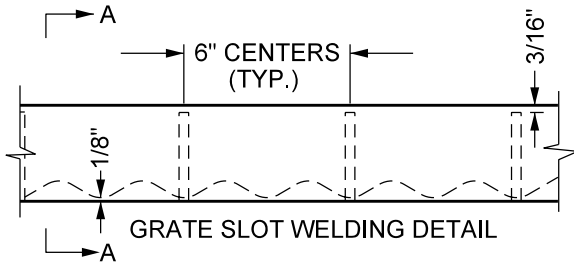


1/2" No. 13 STANDARD GALVANIZED EXPANDED METAL MESH, TACK WELD TO THE GRATE EVERY 6" @ CROSS BAR SPACERS



NOTES:  
 INSTALLATION OF THE SLOTTED DRAIN UNDER THE TRAVELED WAY IS NOT ALLOWED.  
 DEPTH OF GRATES SHALL BE 6".  
 GRATE ASSEMBLIES TO CONFORM TO MNDOT SPEC. 3306 AND SHALL BE GALVANIZED AFTER FABRICATION AS PER MNDOT SPEC. 3394.  
 SLOTTED DRAINS SHALL BE FURNISHED IN 20' LENGTHS WHENEVER PRACTICAL TO MINIMIZE THE NUMBER OF JOINTS REQUIRED.  
 PIPE THICKNESS SHALL BE 14 GAGE (0.79") OR GREATER.  
 ALL WELDED LOCATIONS SHALL BE PAINTED WITH HIGH ZINC DUST CONTENT PAINT TO MNDOT SPEC. 3518 OR 3520 AFTER ATTACHING TO PIPE.  
 MINNEAPOLIS CITY ENGINEER APPROVAL REQUIRED.  
 USE MAY BE RESTRICTED.

MNDOT SPEC. REF. 1703, 2503  
 MNDOT 3137B, 3138B  
 NOT TO SCALE



DRW: DCD DATE: 3/03  
 APP: HRS DATE: 12/06

SLOTTED DRAIN FOR  
 12" THROUGH 30" DIAMETER CM PIPE

STANDARD  
 PLATE  
 NO.  
 SEWR-4016