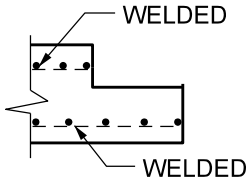
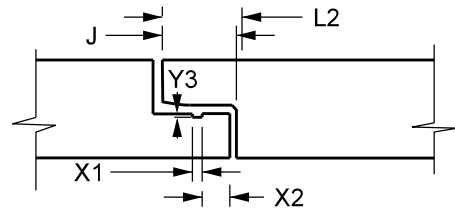


SINGLE LINE

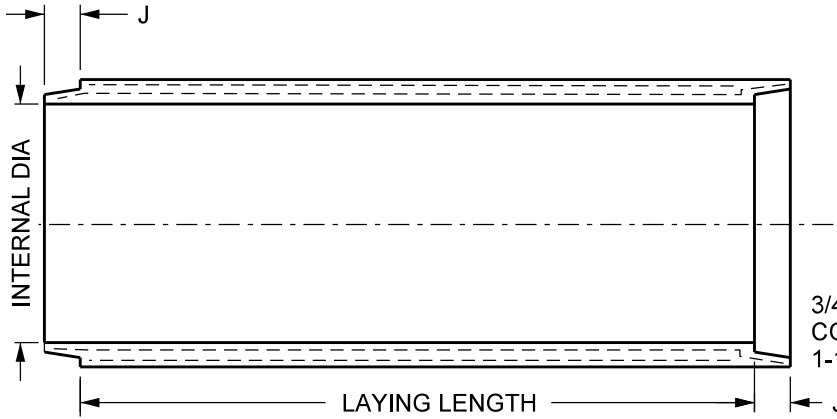


DOUBLE LINE

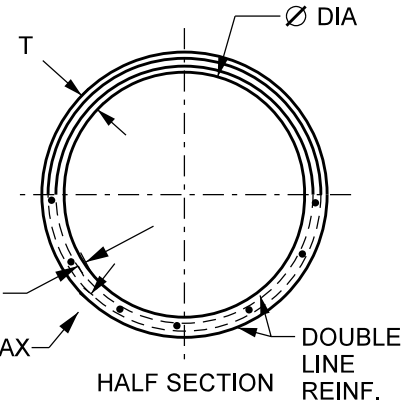
REINFORCEMENT AT ENDS OF PIPE



DIA 72" AND LARGER JOINT DETAIL



LONGITUDINAL SECTION



HALF SECTION
DOUBLE LINE REINF.

SEE PLATE SEWR-4000 FOR SHEAR REINFORCEMENT DETAILS
MODIFIED MNDOT 3000L "C" WALL ONLY

| INTERNAL DIA. OF PIPE (IN.) | CROSS SECTION AREA | MIN. WALL THICKNESS (IN.) T | WEIGHT (LB. PER LIN. FT.) | MIN L2 (IN.) | X1 (IN.) | X2 (IN.) | Y3 (IN.) |
|-----------------------------|--------------------|-----------------------------|---------------------------|--------------|----------|----------|----------|
| 72 | 28.27 | 7 3/4 | 2023 | 8 | 1 3/16 | 1 1/4 | .376 |
| 78 | 33.18 | 8 1/4 | 2328 | 8 | 1 3/16 | 1 1/4 | .376 |
| 84 | 38.48 | 8 3/4 | 2656 | 0 | 1 3/16 | 1 1/4 | .376 |
| 90 | 44.18 | 9 1/4 | 3003 | 0 | 1 3/8 | 1 1/4 | .460 |
| 96 | 50.27 | 9 3/4 | 3368 | 0 | 1 3/16 | 1 1/4 | .376 |
| 102 | 56.75 | 10 1/4 | 3760 | 0 | 1 3/8 | 1 1/4 | .460 |
| 108 | 63.62 | 10 3/4 | 4170 | 0 | 1 3/8 | 1 1/4 | .620 |

MNDOT SPEC. REF. 2503 "C" WALL PIPE ONLY
NOT TO SCALE



DRW: DCD

DATE: 12/02

APP: HRS

DATE: 12/06

RC PIPE 72" AND LARGER

STANDARD
PLATE
NO.
SEWR-4002