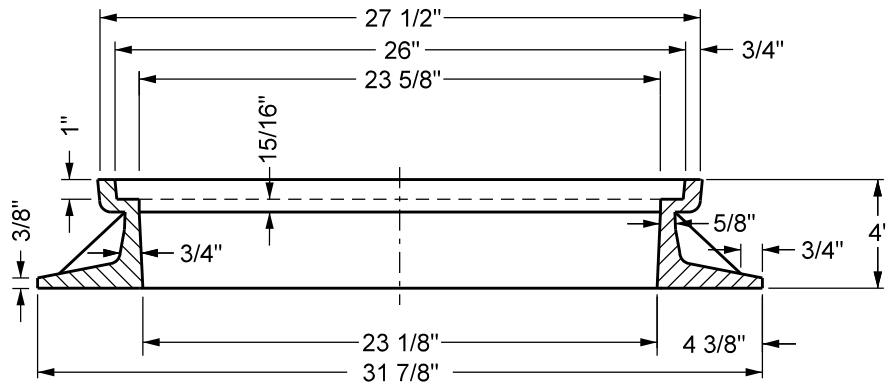


PLAN



SECTION A-A

NOTES:
 APPROXIMATE WEIGHT = 136 LBS.
 MATERIAL: GRAY IRON ASTM A-48

MINNEAPOLIS CUSTOM
 MNDOT SPEC. REF. 2506
 MODIFIED MNDOT 4101D
 NOT TO SCALE



DRW: DCD

DATE: 2/07

APP: HRS

DATE: 2/07

LOW PROFILE MANHOLE CASTING

STANDARD
 PLATE
 NO.
 SEWR-2005