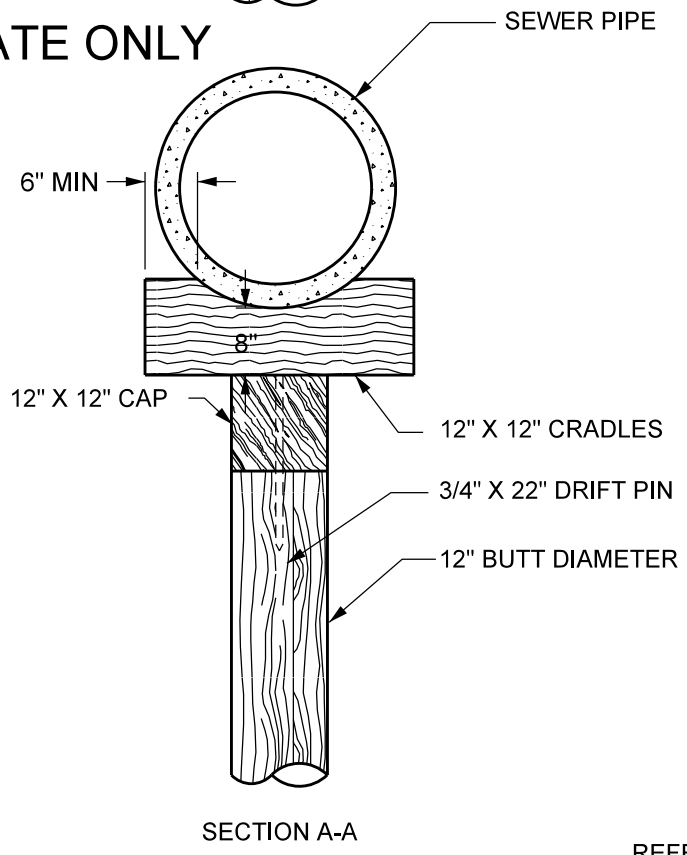


LONGITUDINAL SPACING:
 6' - 0" FOR 6' PIPE SECTION
 8' - 0" FOR 8' PIPE SECTION

REFERENCE PLATE ONLY



REFERENCE PLATE ONLY
 MINNEAPOLIS CUSTOM
 MNDOT SPEC. REF. 2452, 3471, 3491
 NOT TO SCALE

	DRW: CXD	DATE: 3/03	TIMBER PILE BENTS FOR CONCRETE PILING PIPE	STANDARD PLATE NO. SEWR-3007
	APP: HRS	DATE: 12/06		