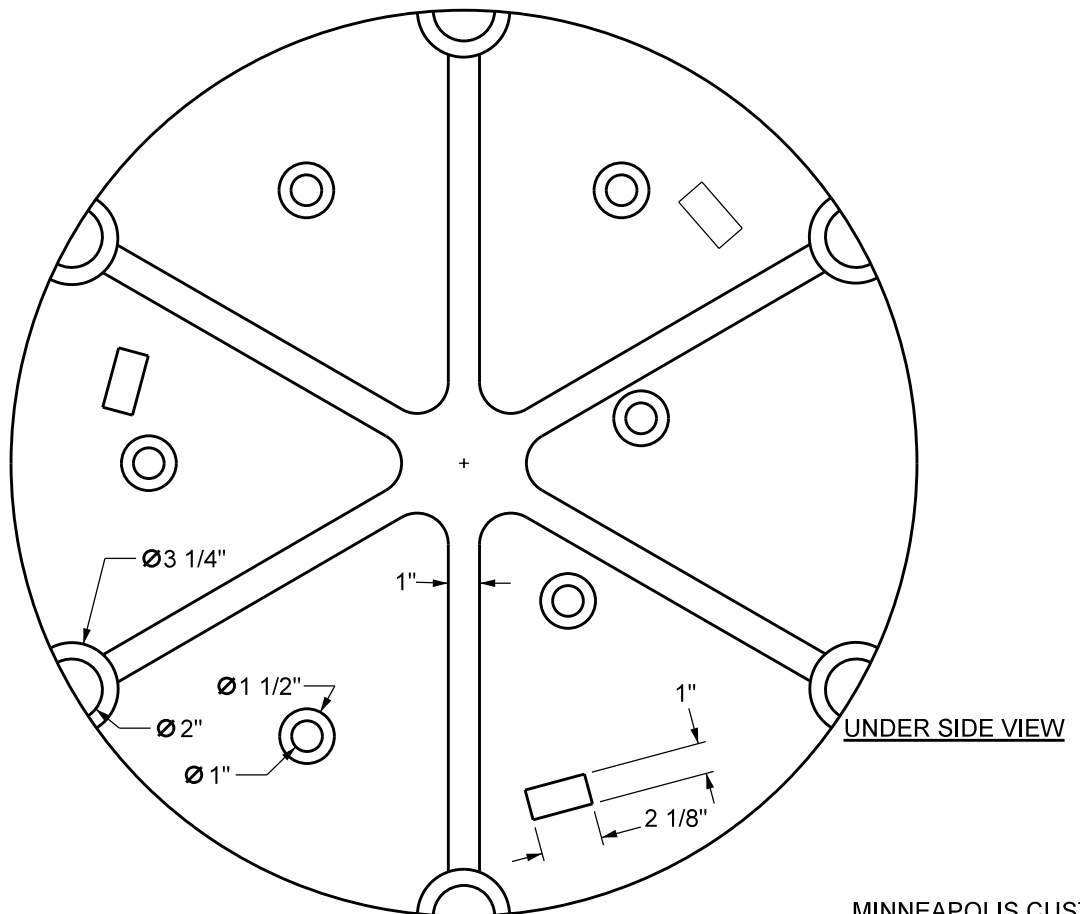
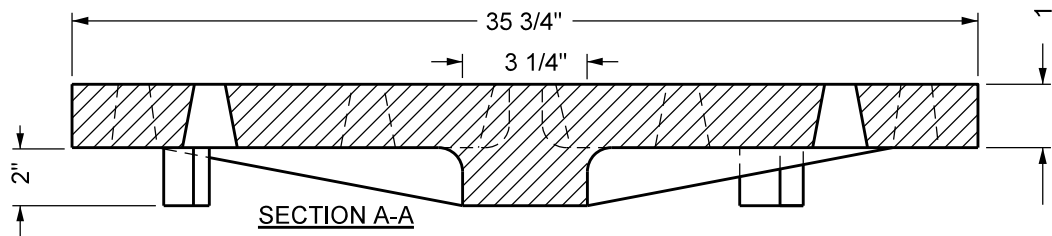


PLAN VIEW



NOTES:
 MATERIALS: GRAY IRON
 ASTM A-48 HEAVY DUTY

MINNEAPOLIS CUSTOM
 MNDOT SPEC. REF. 2506
 NOT TO SCALE



DRW: DCD	DATE: 3/03
APP: HRS	DATE: 12/06

36" MANHOLE COVER

STANDARD
 PLATE
 NO.
 SEWR-2013