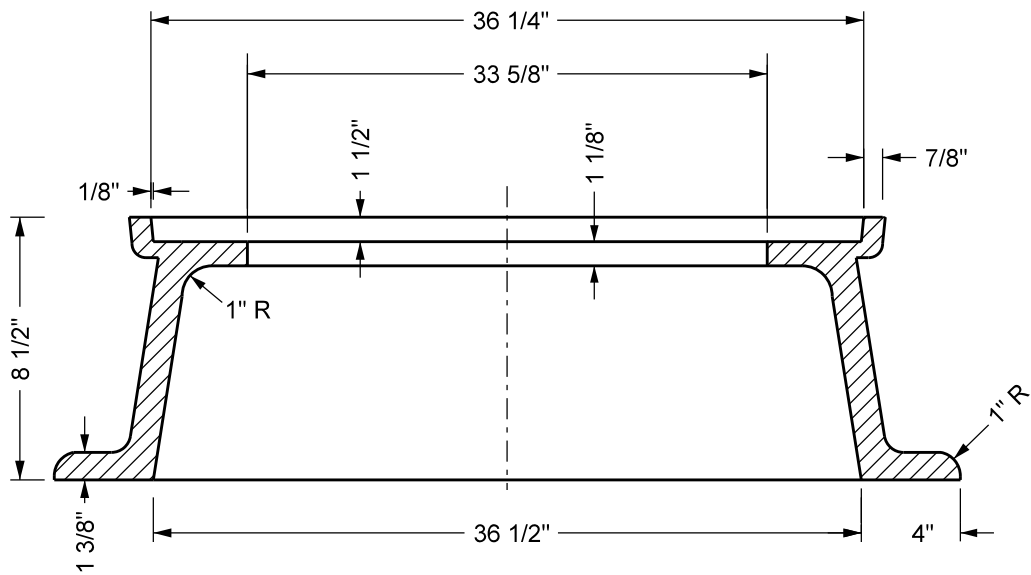


PLAN



SECTION A-A

NOTES:
MATERIAL: GRAY IRON ASTM A-48

MINNEAPOLIS CUSTOM
MNDOT SPEC. REF. 2506
NOT TO SCALE



DRW: DCD

DATE: 2/03

APP: HRS

DATE: 12/06

36" MANHOLE CASTING

STANDARD
PLATE
NO.
SEWR-2012