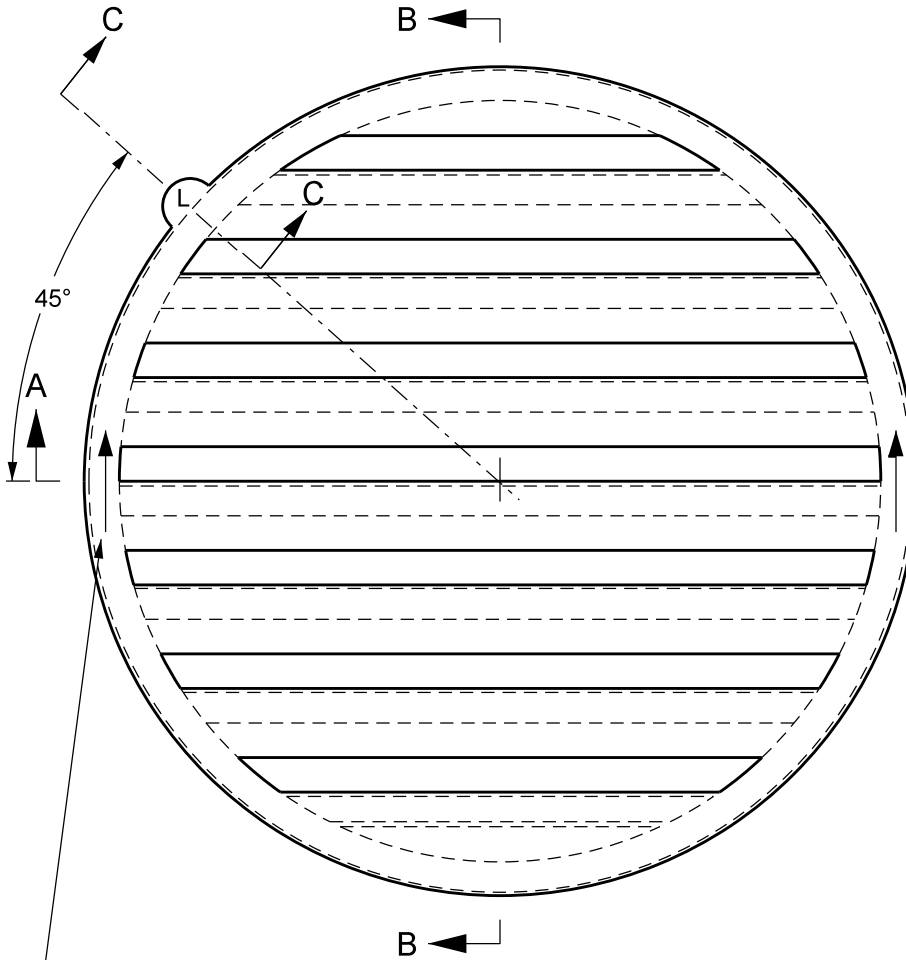
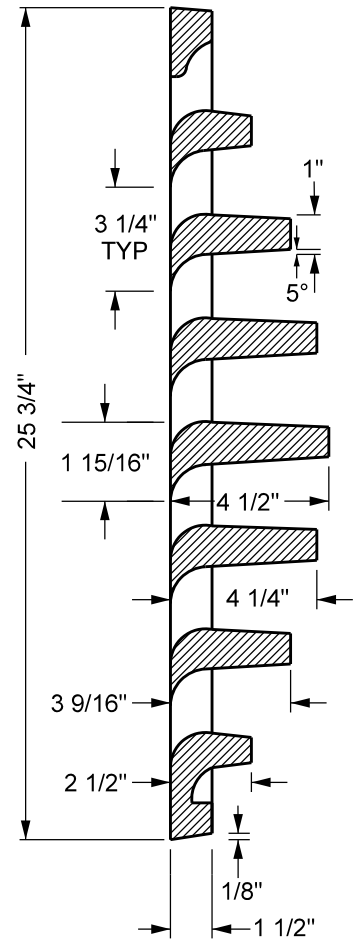


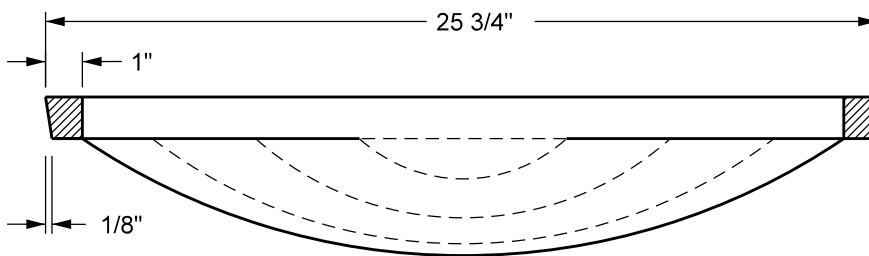
1/4" HIGH LETTER "L" INDICATOR FOR  
LEFT HAND GRATE ALIGNMENT



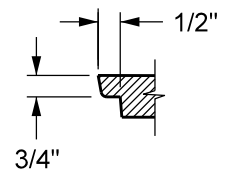
DIRECTION OF FLOW ARROWS  
1/4" DEEP ARROWS



SECTION B-B



SECTION A-A



SECTION C-C

NOTES:  
APPROXIMATE WEIGHT = 140 LBS.  
MATERIAL: GRAY IRON ASTM A-48  
FINISH: NO PAINT

LIMITED USE SEE MPLS. SEWER DEPT.  
FOR USE ON MNDOT FRAME NO. 801, 4126F  
MINNEAPOLIS CUSTOM  
MNDOT SPEC. REF. 2506, 3321  
MODIFIED MNDOT 4149C  
NOT TO SCALE



DRW: DCD

DATE: 3/03

APP: HRS

DATE: 12/06

CIRCULAR VANE GRATE WITH LEFT LUG

STANDARD  
PLATE  
NO.  
SEWR-2010