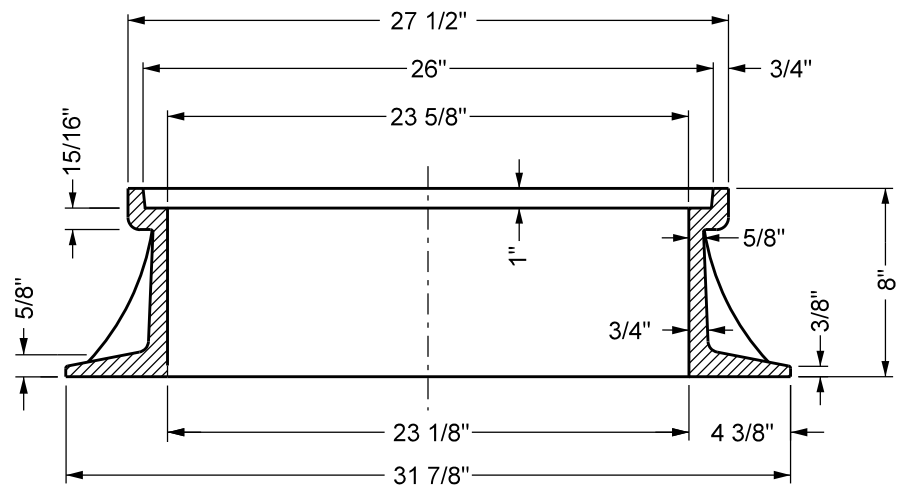


PLAN



SECTION A-A

NOTES:
 WEIGHT = 194 LBS.
 MATERIAL: GRAY IRON ASTM A-48

MINNEAPOLIS CUSTOM
 MNDOT SPEC. REF. 2506
 MODIFIED MNDOT 4101D
 NOT TO SCALE



DRW: DCD	DATE: 2/07
APP: HRS	DATE: 2/07

STANDARD MANHOLE CASTING

STANDARD
 PLATE
 NO.
 SEWR-2004