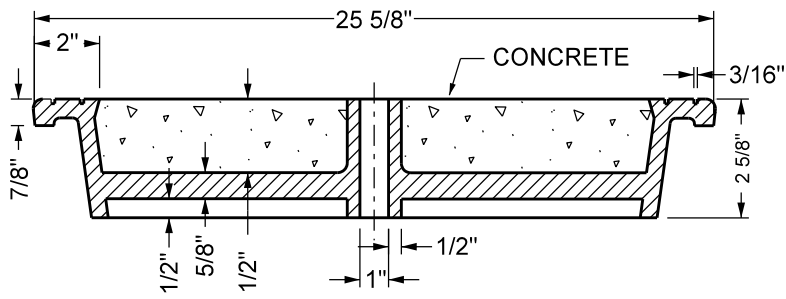
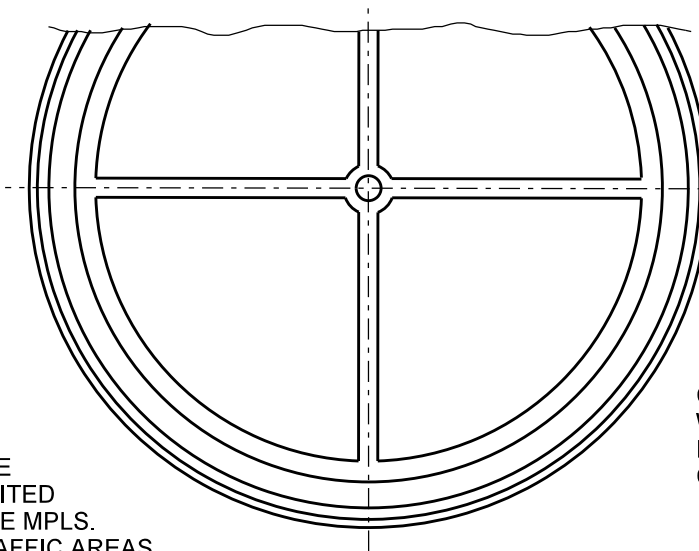


PLAN



SECTION "A-A"



UNDER SIDE VIEW

NOTES:
 NOT FOR USE IN VEHICLE
 TRAFFIC AREAS USE LIMITED
 TO SIDEWALKS ONLY USE MPLS.
 PLATE SEWR-2000 IN TRAFFIC AREAS
 WEIGHT = 122 LBS.
 MATERIAL: GRAY IRON ASTM A-48

CONCRETE SHALL COMPLY
 WITH THE SPECIFICATIONS
 FOR MNDOT 3A42 (3/4-)
 CONCRETE.

MINNEAPOLIS CUSTOM
 MNDOT SPEC. REF. 2506
 NOT TO SCALE



DRW: JXC

DATE: 11/06

APP: HRS

DATE: 12/06

SIDEWALK COVER

STANDARD
 PLATE
 NO.
 SEWR-2002