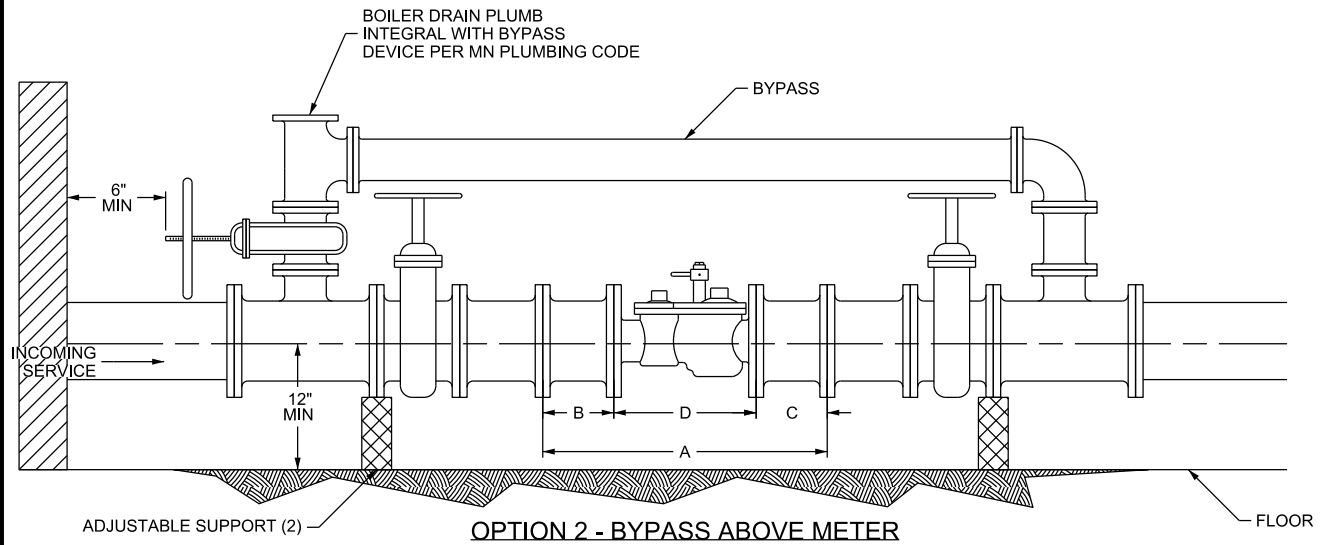


OPTION 1 - BYPASS TO THE SIDE OF METER



OPTION 2 - BYPASS ABOVE METER

METER SIZE	DIMENSION "A"	DIMENSION "B"	DIMENSION "C"	DIMENSION "D"
2" METER	-	-	-	17"
3" METER	35" MIN	12" MIN	6" MIN	17"
4" METER	40" MIN	12" MIN	8" MIN	20"
6" METER	48" MIN	12" MIN	12" MIN	24"

NOTE:

1. THIS DETAIL PLATE IS INTENDED TO ILLUSTRATE THE SUPPLEMENTAL SPECIFICATIONS FOR THE CONSTRUCTION OF PUBLIC INFRASTRUCTURE IN THE CITY OF MINNEAPOLIS - DIVISION WM - WATER DISTRIBUTION SYSTEMS (LATEST EDITION) AND MUST BE USED IN CONJUNCTION WITH THE COMPLETE SPECIFICATIONS.
2. DIMENSION "B" MUST BE A STRAIGHT SPOOL A MINIMUM OF 12" FOR ALL 3", 4" AND 6" METERS.

NOT TO SCALE



DRW: RGW DATE: 5/25/2022
APP: JRH DATE: 5/25/2022

LARGE METER AND METER BYPASS

**STANDARD
PLATE
NO.
WATR-6000-R3**