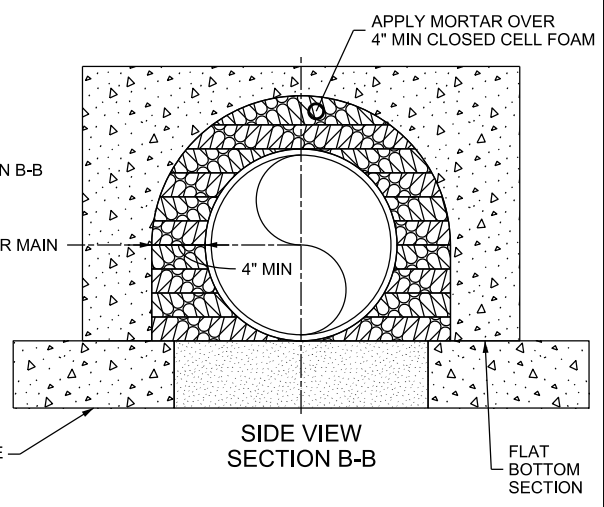
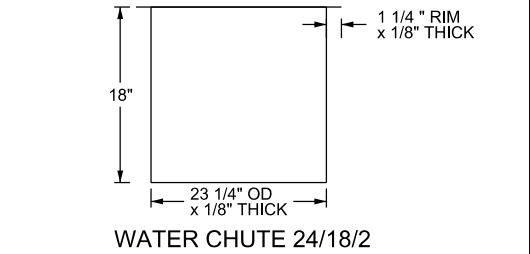
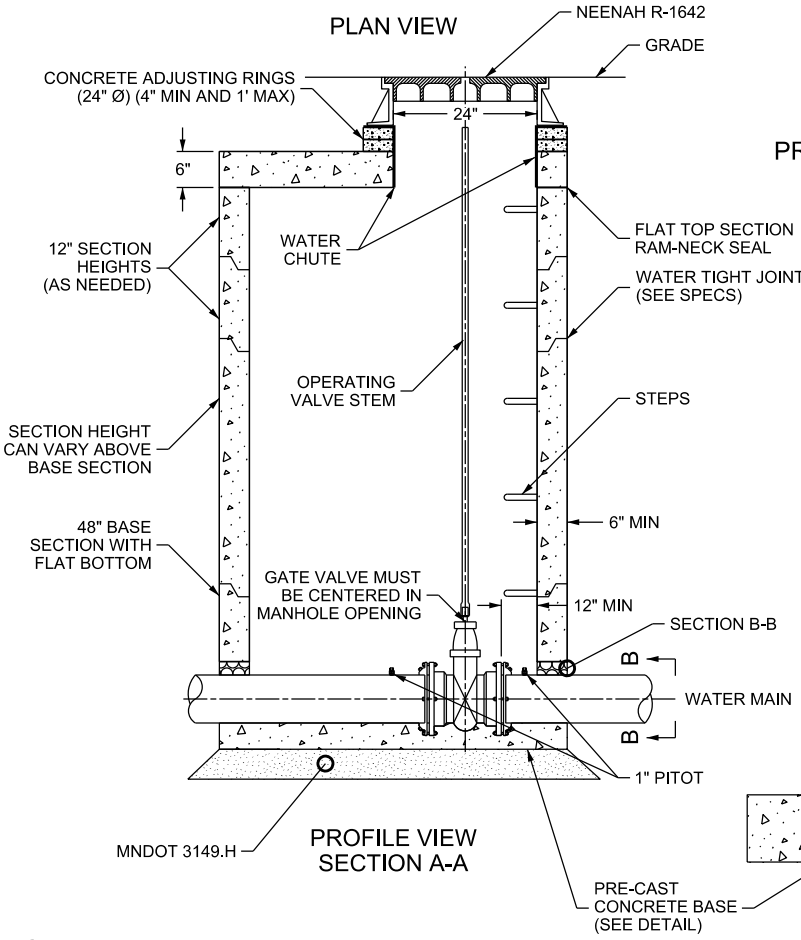
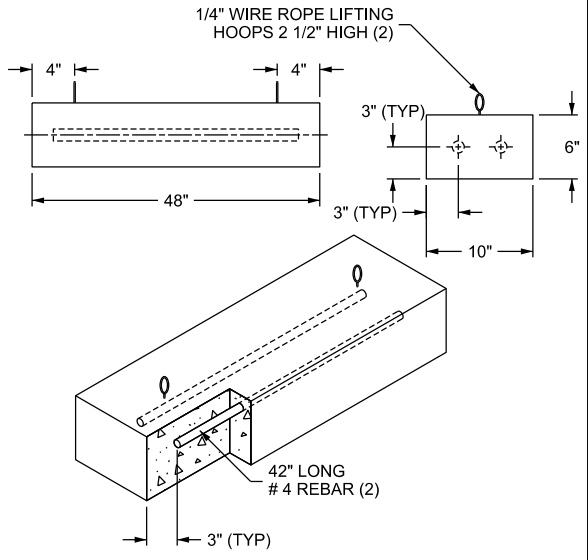
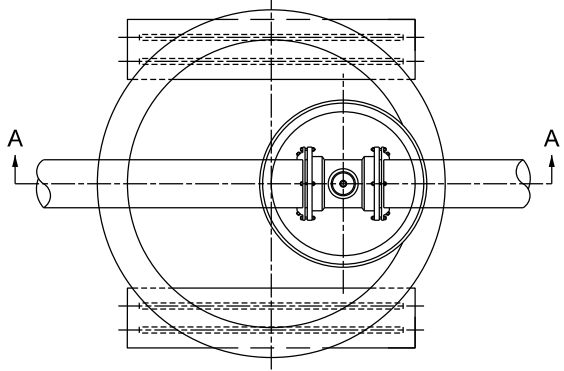


SIZING CHART			
WATERMAIN SIZE	MANHOLE DIA.	WALL OPENING	
		H	W
6" - 12"	48"	18"	18"
16"	60"	24"	24"
24"	60"	46"	30"
36"	ENGINEERING REQUIRED		
48"	ENGINEERING REQUIRED	AS REQUIRED	



NOTE:

1. THIS DETAIL PLATE IS INTENDED TO ILLUSTRATE THE SUPPLEMENTAL SPECIFICATIONS FOR THE CONSTRUCTION OF PUBLIC INFRASTRUCTURE IN THE CITY OF MINNEAPOLIS - DIVISION WM - WATER DISTRIBUTION SYSTEMS (LATEST EDITION) AND MUST BE USED IN CONJUNCTION WITH THE COMPLETE SPECIFICATIONS.

NOT TO SCALE



DRW: RGW	DATE: 5/25/2022
APP: JRH	DATE: 5/25/2022

PRE-CAST CONCRETE MANHOLE

STANDARD PLATE NO. WATR-3000-R2