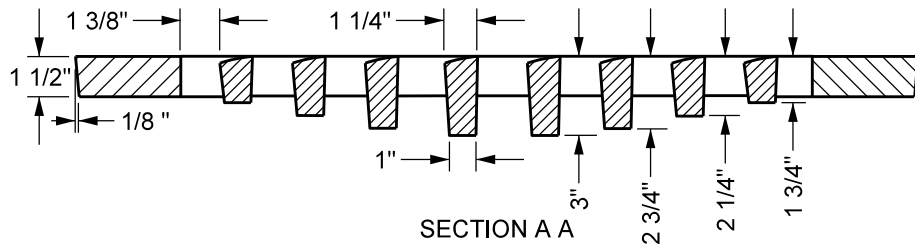
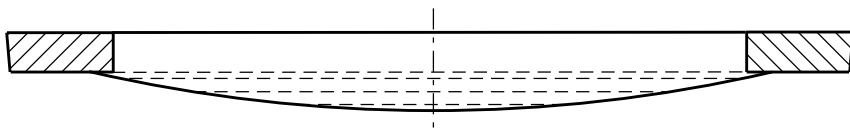


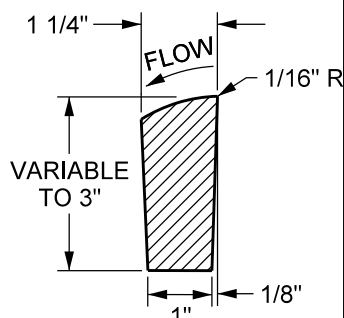
TOP VIEW



SECTION A A



SECTION B B



SECTION C-C

NOTES:
 THIS GRATE IS TO BE USED WITH
 CATCH BASIN FRAME CASTING NO. 802.
 INSTALL GRATE WITH ARROW ON CURB
 SIDE OF BASIN AND IN DIRECTION OF FLOW.
 MATERIAL: GRAY IRON ASTM A-48
 NOT FOR USE IN NEW CONSTRUCTION.

REFERENCE PLATE ONLY

MNDOT SPEC. REF. 2506
 NOT TO SCALE

	DRW: DCD	DATE: 4/03	PARK BOARD SLOTTED SQUARE CATCH BASIN GRATE	STANDARD PLATE NO. SEWR-7009
	APP: HRS	DATE: 4/07		