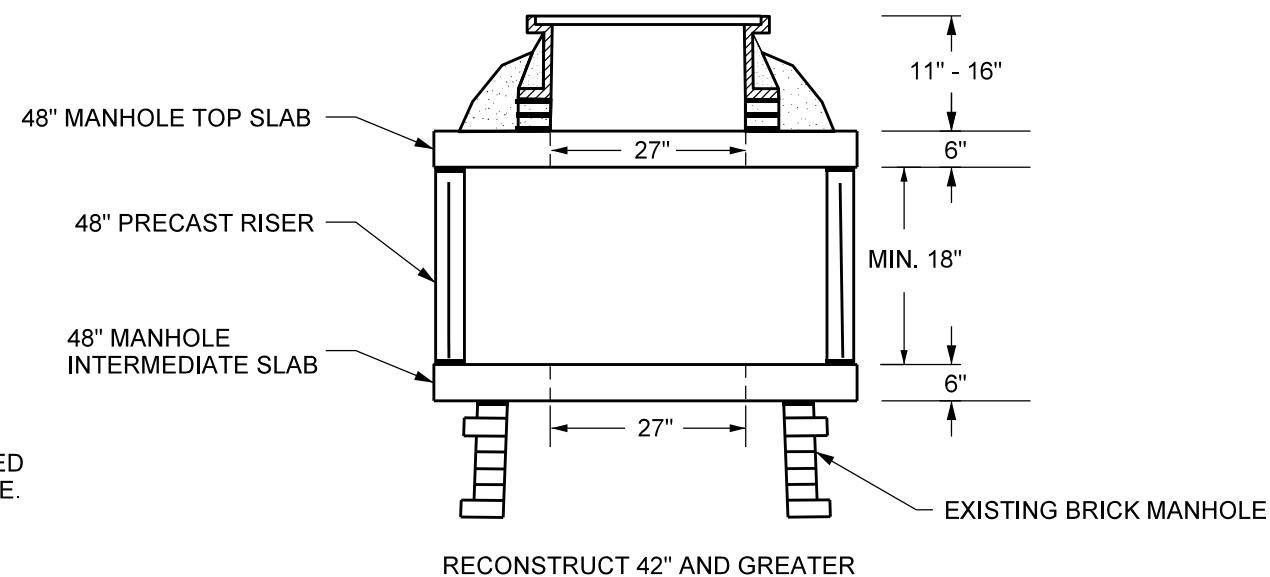
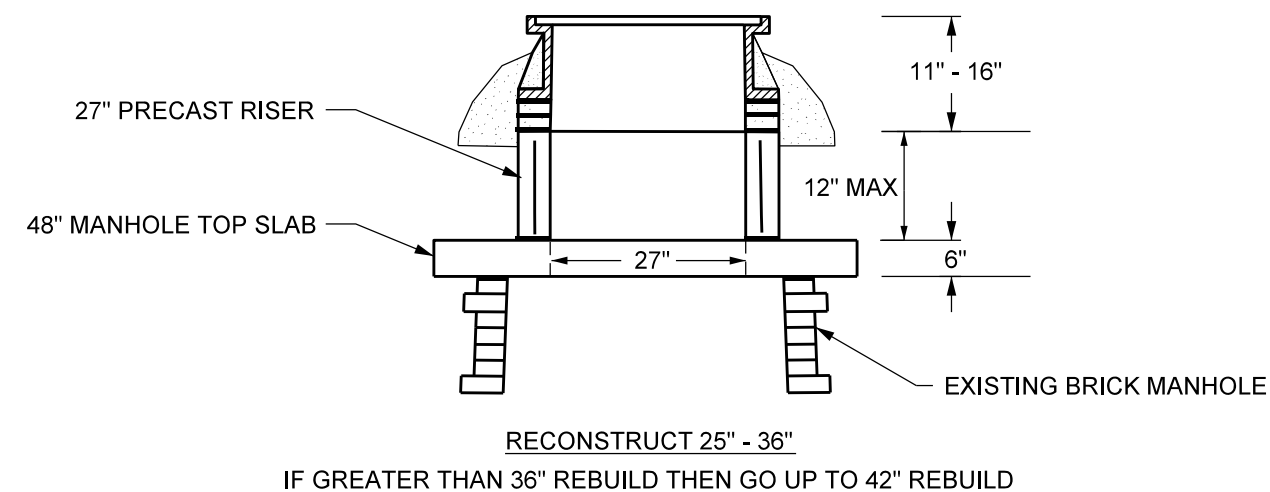
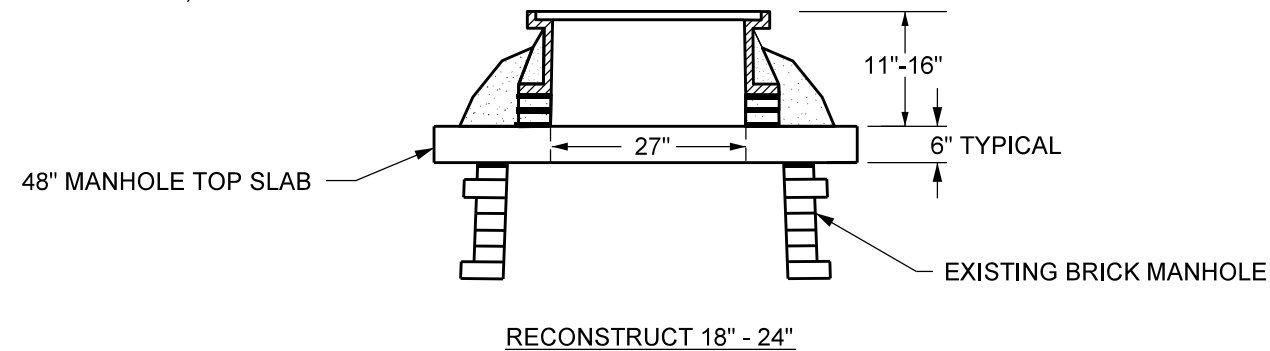


- NOTES:**
- A. INTERMEDIATE SLAB, RISER, TOP SLAB, RINGS AND CASTING SHALL BE SET ON A FULL BED OF APPROVED MORTAR, PER MINNEAPOLIS SUPPLEMENTAL SPECIFICATIONS SECTION S-27, MINIMUM 1/2" THICK.
 - B. MANHOLE BLOCK MAY BE USED TO REPLACE THE PRECAST RISER SECTION BY APPROVAL OF ENGINEER. SEE MPLS. PLATE SEWR-1014.
 - C. IF MORE THAN ONE RISER IS REQUIRED A BELL AND SPIGOT JOINT WITH GASKET SHALL BE USED. CONFIGURE BELL DOWN ON ALL MANHOLE RISERS.
 - D. THE PROJECT ENGINEER SHALL SPECIFY METHOD OF MANHOLE RECONSTRUCTION IN THE PLAN SET. THE RECONSTRUCTION METHOD WILL BE VERIFIED IN THE FIELD AS NECESSARY.
 - E. MANHOLE RECONSTRUCTION REQUIRED IN NEW STREET CONSTRUCTION AND IN COMPLETE RECONSTRUCTION PROJECTS WHEN TOP OF STRUCTURE IS GREATER THAN 16" FROM FINISHED STREET GRADE. THREE (3) ADJUSTING RINGS AND CASTING ASSEMBLY WITH MORTAR WILL ADJUST 16".
 - F. THE INSTALLATION OF CASTING AND NEW RINGS, FOR A TOTAL RECONSTRUCT HEIGHT UNDER 16", SHALL BE CONSIDERED AN ADJUSTMENT. A RECONSTRUCT OF A HEIGHT 16" OR GREATER SHALL BE BUILT ACCORDING TO THIS STANDARD PLATE.
 - G. CONTRACTOR SHALL PREVENT DEBRIS FROM FALLING INTO MANHOLE AND IS RESPONSIBLE FOR REMOVAL OF ALL DEBRIS ENTERING SYSTEM IMMEDIATELY OR AS SOON AS POSSIBLE.
 - H. USE TALLEST RISER SECTION AVAILABLE.

TYPICAL 48" MANHOLE TOP SLAB WITH 27" CENTER HOLE. (SEE PLATE SEWR-1005)



DRW: CLK DATE: 9/1/20
APP: KMM DATE: 2/12/21

BRICK MANHOLE RECONSTRUCTION

STANDARD
PLATE
NO.
SEWR-1016-R2

MNDOT SPEC. REF. 2506
MNDOT 4005L, 4010H
NOT TO SCALE