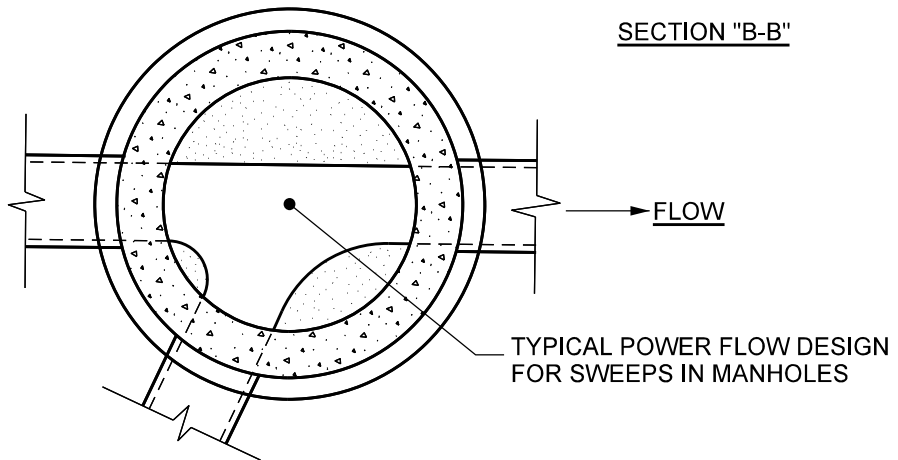
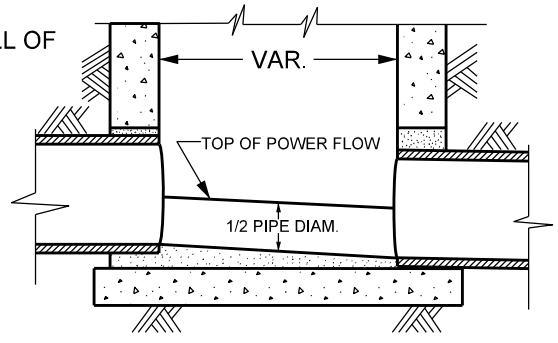
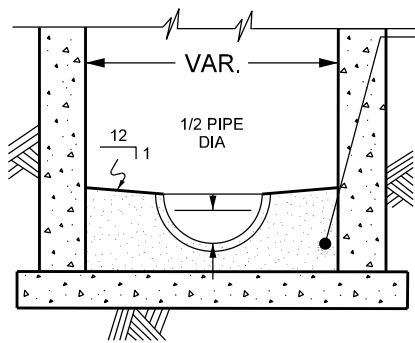
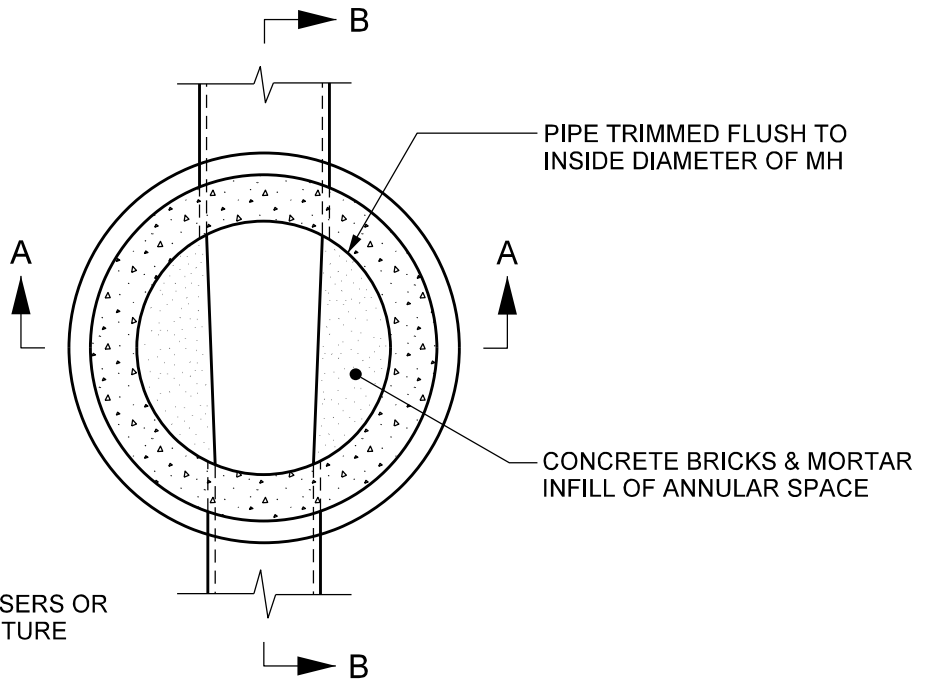


PRE-CAST CONCRETE RISERS OR
BLOCK MANHOLE STRUCTURE



NOTES:
PROVIDE MORTAR FILLETS TO FIT THE BOTTOM PORTION OF PIPE
TO DIRECT FLOW TO OUTLET.
THE INSIDE OF BRICK OR BLOCK STRUCTURES SHALL BE PLASTERED
WITH APPROVED AIR ENTRAINED MORTAR TO A SMOOTH SURFACE.
POWER FLOW STANDARDS APPLY TO ALL MANHOLE STRUCTURES.

MINNEAPOLIS CUSTOM
MNDOT SPEC. REF. 2506
MODIFIED MNDOT 4000J, 4005L
NOT TO SCALE



DRW: MJS

DATE: 01/24

APP: KMM

DATE: 04/24

MANHOLE POWER FLOW DETAIL

STANDARD
PLATE
NO.
SEWR-1002-R1